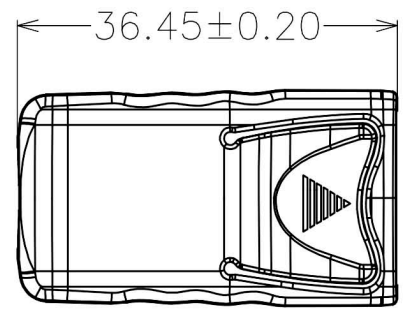
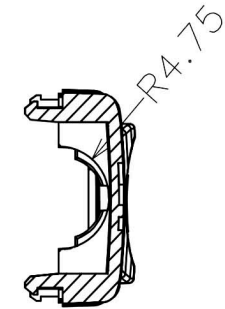


NOTE:
 (1)CONTACT RESISTANCE:
 30mΩ MAX(INITIAL) FOR VBUS AND GND
 CONNACTS,OTHER 50mΩ MAX(INITIAL)
 CHANGES AFTER ENVIRONMENTAL
 AND LIFE TESTS:+10Ω MAX.
 (2)INSULATION RESISTANCE:100MΩ MIN.
 (3)RATED CURRENTS:0.5A.
 (4)VOLTAGE RESISTANCE:100V AC(RMS)
 (5)INSERTION FORCE:35N MAX.
 (6)WITHDRAWAL FORCE:10N MIN(INITIAL).
 8N MIN(AFTER LIFE TEST).
 (7)DURABILITY (LIFE TEST) :5000 CYCLES.
 (8)TEMPERATURE:: -40℃ ~ +85℃

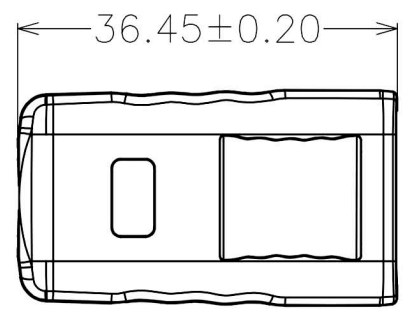
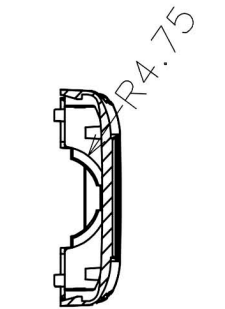
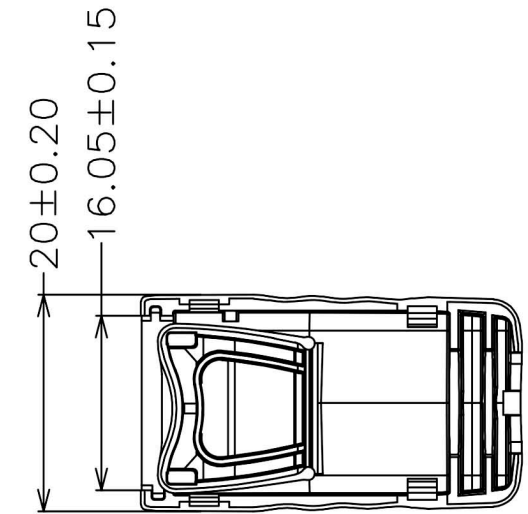
RoHS Compliant		HSM 玄茂科技股份有限公司 HSUAN MAO TECHNOLOGY CO., LTD.												
APPD. 核准	 SCALE 比例 参考	TOLERANCE	PART NAME 品名											
DWG. 製圖 Betty		<table border="1"> <tr> <th>X</th> <th>±0.35</th> <th>ANGLE</th> </tr> <tr> <td>X.X</td> <td>±0.25</td> <td>X°</td> </tr> <tr> <td>X.XX</td> <td>±0.15</td> <td>X.X°</td> </tr> <tr> <td>X.XXX</td> <td>±0.050</td> <td>X.XX°</td> </tr> </table>	X	±0.35	ANGLE	X.X	±0.25	X°	X.XX	±0.15	X.X°	X.XXX	±0.050	X.XX°
X	±0.35	ANGLE												
X.X	±0.25	X°												
X.XX	±0.15	X.X°												
X.XXX	±0.050	X.XX°												
DATE 制表日 2024/04/08	UNIT 單位 MM	SIZE 紙張尺寸 A 4	PART NO. 料號 C8603-20MYSNB0R											
	PAGE 張數 1 OF 2	REV. 版次 A												

1 2 3 4 5 6 7 8

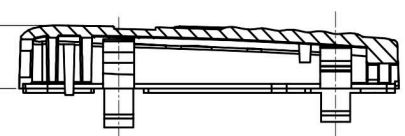
A
B
C
D
E
F
G
H



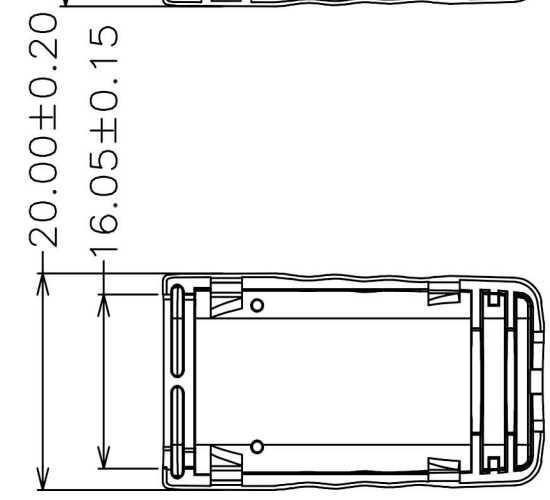
DP-Upper Shell



5.72 ± 0.20



DP-Below Shell



RoHS Compliant		HSM 玄茂科技股份有限公司 HSUAN MAO TECHNOLOGY CO., LTD.	
APPD. 核准	 SCALE 比例 参考	TOLERANCE X ±0.35 ANGLE X.X ±0.25 X° ±2° X.XX ±0.15 X.X' ±1.0° X.XXX ±0.050 X.XX' ±0.50°	PART NAME 品名
DWG. 製圖			UNIT 單位
DATE 制表日	Betty	M M	A 4
2024/04/08	PAGE 張數	2 OF 2	REV. 版次
			A
			PART NO. 料號
			C8603-20MYSNB0R

1 2 3 4 5 6 7 8