

1 2 3 4 5 6 7 8

A B C D E F G H

Pin No.	Signal Type	Pin No.	Signal Type
1	Out	11	GND
2	GND	12	Out
3	Out	13	CONFIG
4	Out	14	CONFIG
5	GND	15	I/O
6	Out	16	GND
7	Out	17	I/O
8	GND	18	In
9	Out	19	PWR RTN
10	Out	20	PWR Out

NOTES:

1. Material:
 Housing: LCP, UL94V-0 Rated.
 Color: Black.
 Contact: Phosphor Bronze.
 Plating: Gold Plating over Nickel on Contact Area.
 Tin Plating on Solder Tail.

2. Electrical Specification:
 Operation Voltage: 40VAC Max.
 Current Rating: 0.5 Ampere per Contact.
 Contact Resistance: 30mΩ Max.
 Insulation Resistance: 100MΩ Min.
 Dielectric Withstanding Voltage: 500V AC Min.

3. Environmental:
 Operating Temperature: -20°C to +85°C

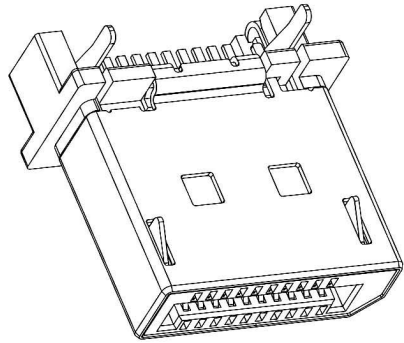
PCB LAYOUT T=1.60mm(Front View)
COMPONENT SIDE

PCB LAYOUT T=1.60mm(Back View)
COMPONENT SIDE

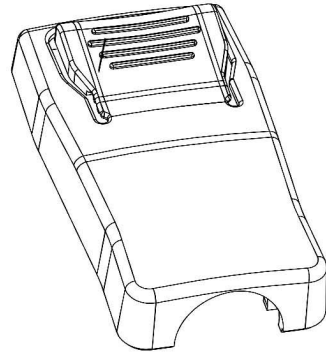
RoHS Compliant		HSM 玄茂科技股份有限公司 HSUAN MAO TECHNOLOGY CO., LTD.	
APPD. 核准	SCALE 比例 参考	UNLESS OTHERWISE SPECIFIED DIMENSIONS ARE IN MM TOLERANCES ARE: DECIMALS ANGLES X+ .38 -0.25 ±.3° XX ±.25 XXX ±.20	PART NAME 品名 DisplayPort 20P MALE ASSEMBLY TYPE WITHOUT P.C.B WITH HOOD NICKEL SHELL BLACK COLOR ROHS
DWG. 製圖 Betty	UNIT 單位 MM	SIZE. 紙張尺寸 A 4	PART NO. 料號 C8604-20MBXNB0R
DATE 制表日 2018/02/13	PAGE 張數 1 OF 2	REV. 版次 A	

1 2 3 4 5 6 7 8

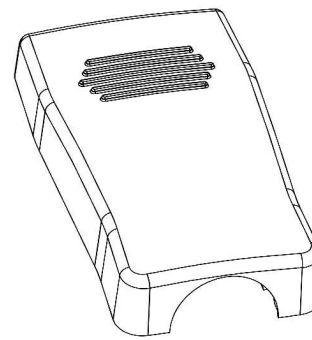
1 Connector



2 Top Cover



3 Bottom Cover



NOTES:

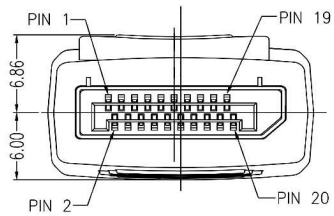
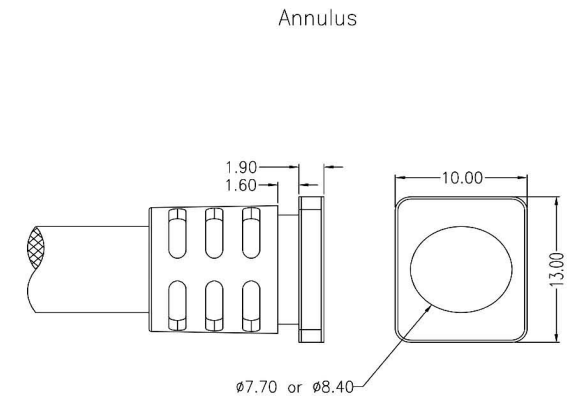
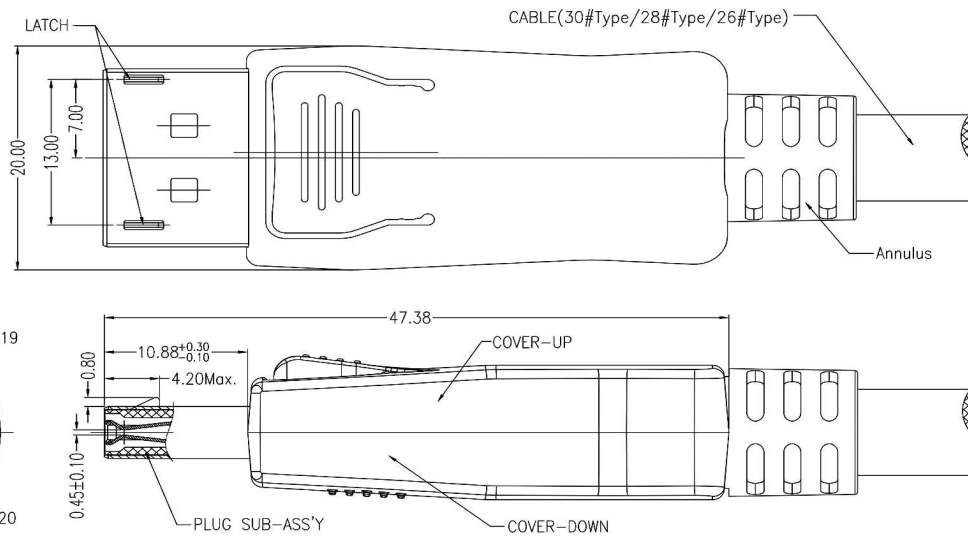
1. Material:

Top Cover: Nylon66, UL 94V-0 Rated.

Color: Black.

Bottom Cover: Nylon66, UL 94V-0 Rated.

Color: Black.



RoHS Compliant		HSM 玄茂科技股份有限公司 HSUAN MAO TECHNOLOGY CO., LTD.	
APFD. 核准	SCALE 比例 参考	UNLESS OTHERWISE SPECIFIED DIMENSIONS ARE IN MM TOLERANCES ARE: DECIMALS ANGLES X ± .38 ± 3° XX ± .25 XXX ± .20	PART NAME 品名 DisplayPort 20P MALE ASSEMBLY TYPE WITHOUT P.C.B WITH HOOD NICKEL SHELL BLACK COLOR ROHS
DWG. 製圖 Betty	UNIT 單位 MM	SIZE. 紙張尺寸 A 4	PART NO. 料號 C8604-20MBXNB0R
DATE 製表日 2018/02/13	PAGE 張數 2 OF 2	REV. 版次 A	