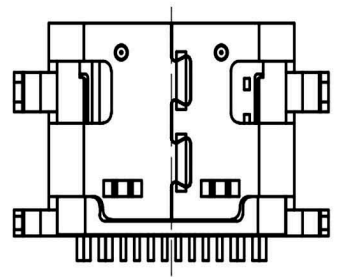
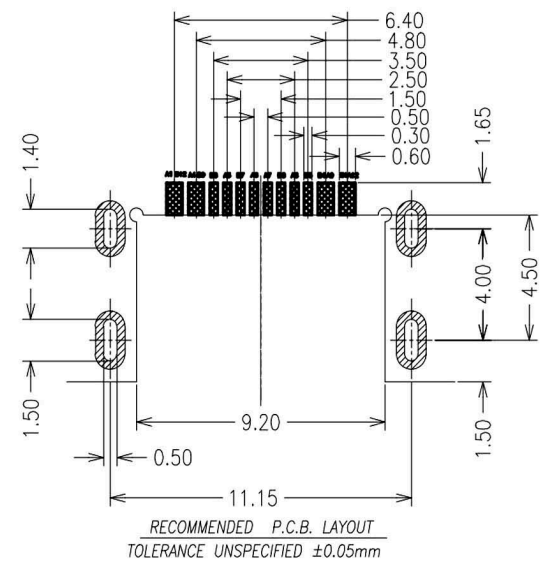
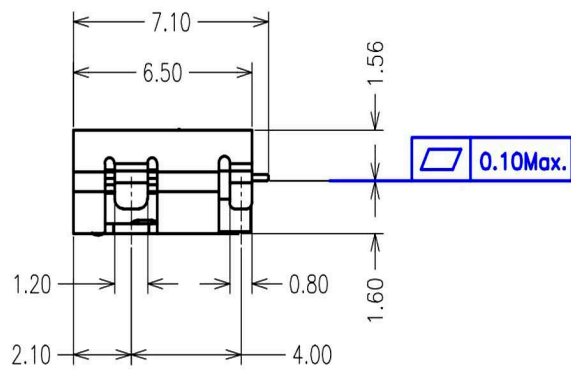
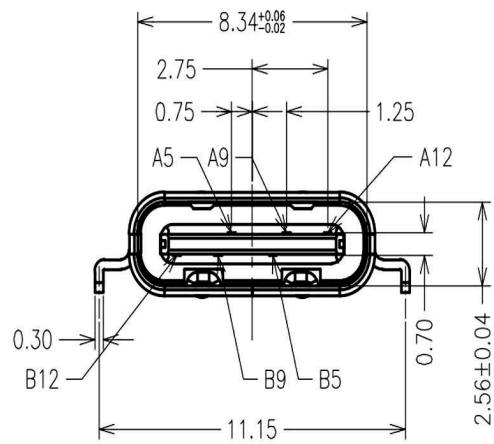


SPECIFICATION

1. ELECTRICAL CHARACTERISTICS:
 - 1-1. VOLTAGE&CURRENT RATING:DC 30V MAX&3A
 - 1-2. CONTACT RESISTANCE: 40mΩ MAX INITIAL.
 - 1-3. INSULATION RESISTANCE: 1000MΩ MIN FOR VOLTAGE 100VDC.
 - 1-4. DIELECTRIC WITHSTAND: 100V AC for 1 MINUTE
 - 1-5. OPERATING TEMPERATURE: -25°C~+85°C
2. MECHANICAL CHARACTERISTICS:
 - 2-1. INSERT FORCE: 5-20N Max
 - 2-2. WITHDRAW FORCE: 5-20N Min
 - 2-3. LIFE TEST :3,000 CYCLES



A5	CC1	B12	GND
A9	VBUS	B9	VBUS
A12	GND	B5	CC2
PIN	SIGNAL NAME	PIN	SIGNAL NAME

RoHS Compliant		HSM 玄茂科技股份有限公司 HSUAN MAO TECHNOLOGY CO., LTD.	
APPD. 核准	SCALE 比例 参考	TOLERANCE X.X ±0.30 X.XX ±0.15 X.XXX ±0.10 X* ±5° X.X* ±2°	PART NAME 品名 USB CONNECTOR TYPE C 16PIN FEMALE OFFSET TYPE 1.6 · L=6.5mm(SHORT BODY) SHELL FOOT:DIP TYPE*4,PIN FOOT: SMT TYPE GOLD FLASH PLATING BLACK COLOR MATERIAL:LCP REEL PACKING ROHS
DWG. 製圖 Betty	UNIT 單位 M M	SIZE. 紙張尺寸 A 4	PART NO. 料號 C8662-16CFNBGBRR
DATE 制表日 2022/11/21	PAGE 張數 1 OF 1	REV. 版次 A	