

NOTES:

1. MATERIAL: SEE "TABLE 1";
2. FINISH: SEE "TABLE 1";
3. ELECTRICAL :
  - 3-1.CONTACT CURRENT RATING :  
5A(VBUS PIN 1.5A/PIN),  
5A(GND PIN 1.25A/PIN MAX),0.25A/PIN(OTHER PIN).
  - 3-2.INSULATION RESISTANCE :100 MEGAOHMS MIN. AT 250VDC.
  - 3-3.DIELECTRIC WITHSTANDING VOLTAGE :100VAC MIN.
  - 3-4.LOW LEVEL CONTACT RESISTANCE :  
INITIAL 40mΩ MAX.  
AFTER 50mΩ MAX.
- 4.MECHANICAL CHARACTERISTICS :
  - 4-1. MATING FORCE: 5~20N.;
  - 4-2. UNMATING FORCE: 8~20N(INITIAL),  
6~20N(AFTER 10000 CYCLES);
  - 4-3.DURABILITY : 10,000 MATING CYCLES.
  - 4-4.OPERATING TEMPERATURE :-40°C TO +80°C
  - 4-5.WATERPROOF : IPX7

TABLE 1:

| NO. | PART NAME       | QTY | MATERIAL               | DESCRIPTION       | REMARK   |
|-----|-----------------|-----|------------------------|-------------------|----------|
| ⑨   | Waterproof Ring | 1   | SILICA GEL             | BLACK;            |          |
| ⑧   | GLUE WATER      | 1   | EPOXY                  | BLACK;            |          |
| ⑦   | Shell-2         | 1   | Stainless steel SUS304 | NI PLATING;       | T=0.20mm |
| ⑥   | Shell-1         | 1   | Stainless steel SUS304 | NI PLATING;       | T=0.20mm |
| ⑤   | GND PLATE       | 1   | Stainless steel SUS301 | NI PLATING;       | T=0.10mm |
| ④   | MID PLATE       | 1   | Stainless steel SUS301 |                   | T=0.15mm |
| ③   | Terminal-B      | 12  | Copper AlloyC1814      | PART NUMBER CODE: | T=0.12mm |
| ②   | Terminal-A      | 12  |                        |                   | T=0.12mm |
| ①   | Housing         | 1   | HIGH TEMP              | Black             |          |

RoHS  
Compliant

**HSM** 玄茂科技股份有限公司  
**HSUAN MAO TECHNOLOGY CO., LTD.**

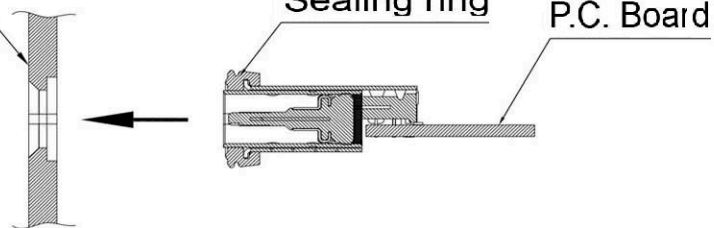
|                       |             |                   |  |
|-----------------------|-------------|-------------------|--|
| APPD.<br>核准           | SCALE<br>比例 | TOLERANCE<br>容許公差 | PART NAME 品名<br>USB3.1 TYPE C WATERPROOF TYPE 24PIN FEMALE<br>PIN FOOT:DIP+SMT TYPE NICKEL SHELL:DIP TYPE<br>BLACK COLOR REEL PACKING ROHS |
| DWG.<br>製圖            | UNIT<br>單位  | SIZE.<br>紙張尺寸     |  |
| DATE 制表日<br>2022/2/22 | PAGE<br>張數  | REV.<br>版本        | PART NO.<br>料號   |
| Helen                 | 1 OF 3      | A                 | C8675-24CFXBR0R  |

## Recommended sealing method

Chassis panel

Sealing ring

P.C. Board

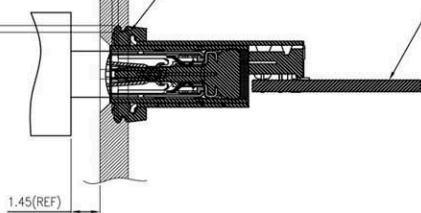


机壳面板对密封圈与缩量0.30Min  
(建议压缩量为密封圈直径大小40-50%)

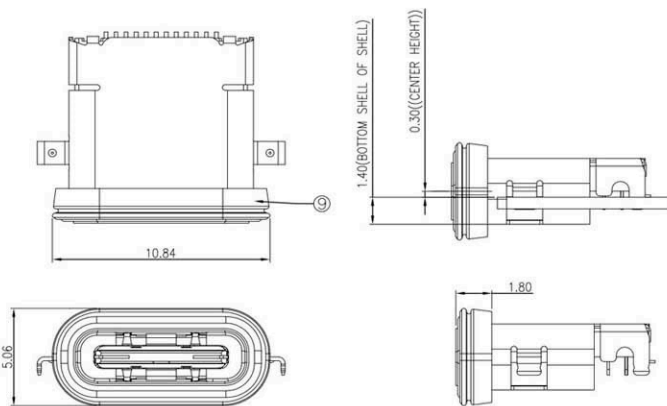
机壳面板对密封圈与缩量0.30Min  
(建议压缩量为密封圈直径大小40-50%)

Sealing ring

P.C. Board

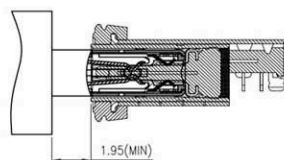


## Schematic diagram of assembly waterproof ring size



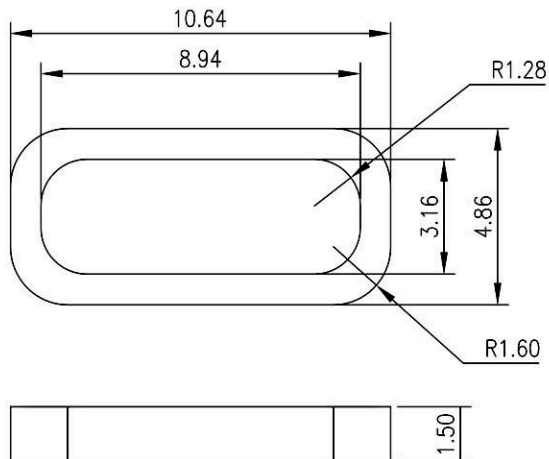
组装面板后公母头对插示意图

(Mating image)



公母对插示意图

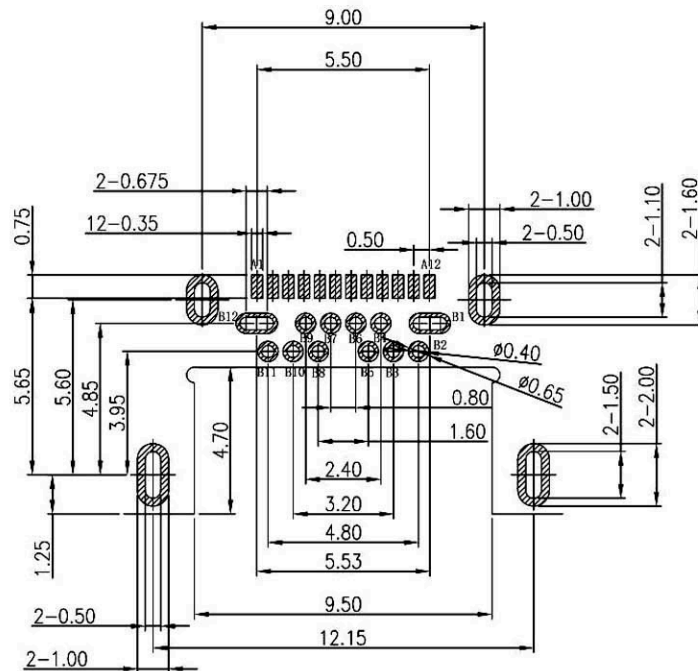
|                    |  |   |  |
|--------------------|--|---|--|
| RoHS Compliant     |  | <b>HSM</b> 玄茂科技股份有限公司<br>HSUAN MAO TECHNOLOGY CO., LTD. |  |
| APPD. 核准           | <br>SCALE 比例 参考<br>UNIT 单位 M M<br>PAGE 张数 2 OF 3 | TOLERANCE 容许公差<br>0 ± 0.35<br>.00 ± 0.25<br>ANG. ± 3°   | PART NAME 品名<br>USB3.1 TYPE C WATERPROOF TYPE 24PIN FEMALE<br>PIN FOOT:DIP+SMT TYPE NICKEL SHELL:DIP TYPE<br>BLACK COLOR REEL PACKING ROHS |
| DWG. 製圖 Helen      |  | SIZE. 紙張尺寸 A 4  | PART NO. 料號 C8675-24CFXBR0R  |
| DATE 制表日 2022/2/22 | REV. 版本 A  |   |  |



**Note:**  
 1. Material: Silicone Rubber  
 2. Color: Black

**CUSTOMER DRAWING**

| Pin   | Signal Name      | Mating Sequence | Pin   | Signal Name      | Mating Sequence |
|-------|------------------|-----------------|-------|------------------|-----------------|
| A1    | GND              | First           | B12   | GND              | First           |
| A2    | SSTXp1           | Second          | B11   | SSRXp1           | Second          |
| A3    | SSTXn1           | Second          | B10   | SSRXn1           | Second          |
| A4    | V <sub>BUS</sub> | First           | B9    | V <sub>BUS</sub> | First           |
| A5    | CC1              | Second          | B8    | SBU2             | Second          |
| A6    | Dp1              | Second          | B7    | Dn2              | Second          |
| A7    | Dn1              | Second          | B6    | Dp2              | Second          |
| A8    | SBU1             | Second          | B5    | CC2              | Second          |
| A9    | V <sub>BUS</sub> | First           | B4    | V <sub>BUS</sub> | First           |
| A10   | SSRXn2           | Second          | B3    | SSTXn2           | Second          |
| A11   | SSRXp2           | Second          | B2    | SSTXp2           | Second          |
| A12   | GND              | First           | B1    | GND              | First           |
| SHELL | GND              |                 | SHELL | GND              |                 |



RECOMMENDED P.C.B LAYOUT(Both sides are sample)  
 Tolerance:  $\pm 0.05$ , Thickness=0.60mm

|   |  |  |
|---|--|--|
| <b>RoHS</b><br>Compliant  | <b>HSM 玄茂科技股份有限公司</b><br><b>HSUAN MAO TECHNOLOGY CO., LTD.</b> |  |
|   | APPD.<br>核准<br>DWG.<br>製圖<br>DATE<br>制表日<br>2022/2/22          | SCALE<br>比例<br>UNIT<br>單位<br>M M<br>PAGE<br>張數<br>3 OF 3 |
| <b>PART NAME 品名</b><br>USB3.1 TYPE C WATERPROOF TYPE 24PIN FEMALE<br>PIN FOOT:DIP+SMT TYPE NICKEL SHELL:DIP TYPE<br>BLACK COLOR REEL PACKING ROHS |  | <b>PART NO.</b><br>料號<br>C8675-24CFXBR0R                 |