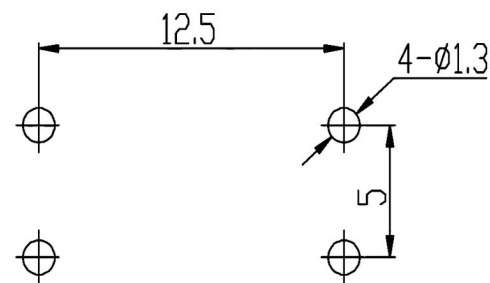
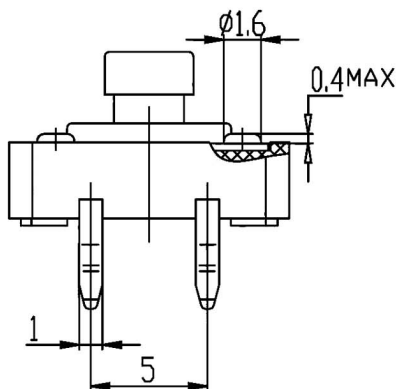
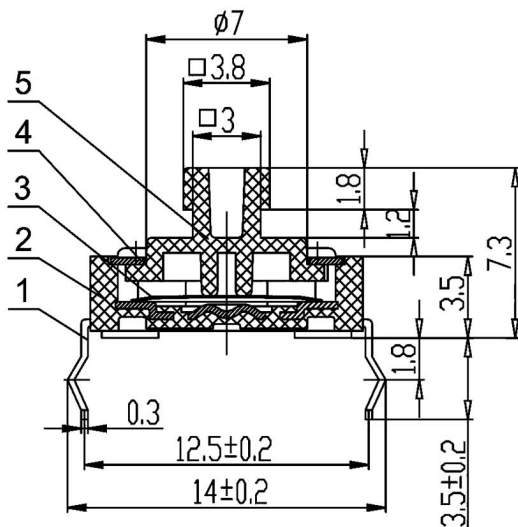


O/FORCE	Life Cycles	SCHEMATIC	General specifications
<input type="checkbox"/> 160±50gf	80,000		<b>Circuit</b> : PUSH ON <b>Rating</b> : D.C. 12V 50mA <b>Contact R.[max]</b> : ≤50mΩ (initial) <b>Insulation R.[min]</b> : ≥100MΩ <b>Withstand VOL.</b> : A.C. 250V 1minute
<input type="checkbox"/> 250±50gf	50,000		
<input type="checkbox"/>			
<input type="checkbox"/>			
<input type="checkbox"/>			

Travel : 0.25±0.15mm



P.C.B. HOLE DETAIL

**MATERIAL SPECIFICATIONS**

ITEM	PART NAME	MATERIAL	QTY	FINISH
1	TERMINAL	Brass	1	Silver Plating
2	CASE	PA66	1	Black
3	CONTACT	Phosphor Bronze	1	Contact Side Silver Plating
4	COVER	SPCC-SD	1	CuSn Plating
5	STEM	PA66	1	Black

RoHS Compliant		<b>HSM 玄茂科技股份有限公司</b> <b>HSUAN MAO TECHNOLOGY CO., LTD.</b>	
APPD. 核准 Betty	SCALE 比例 参考 UNIT 單位 M M PAGE 張數 1 OF 1	DO NOT SCALE DRAWING TOLERANCES UNLESS OTHERWISE UP TO 10 ±0.3 ABOVE 10 TO 100 ±0.5 ABOVE 100 ±0.8 ANGULAR DIMENSIONS ±5° SIZE 紙張尺寸 A 4 REV. 版次 A	PART NAME 品名 TACT SWITCH THROUGH HOLE TYPE PORD. SIZE:12X12mm KNOB:SQUARE TYPE KONB HEIGHT : 7.3mm BLACK COLOR BAG PACKING ROHS PART NO. 料號 C8706-FXBB0000R
DATE 制表日 2014/07/15			