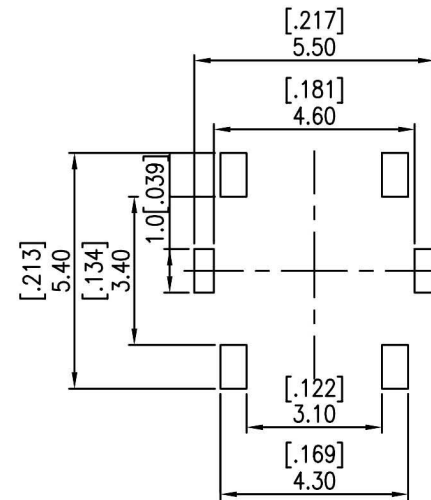
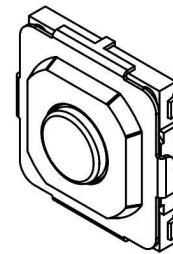
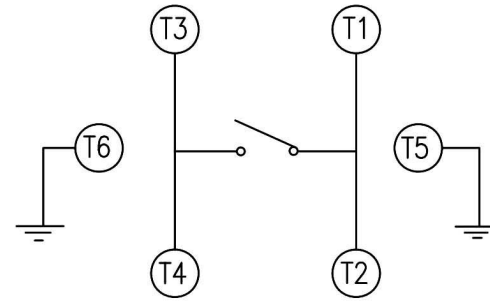
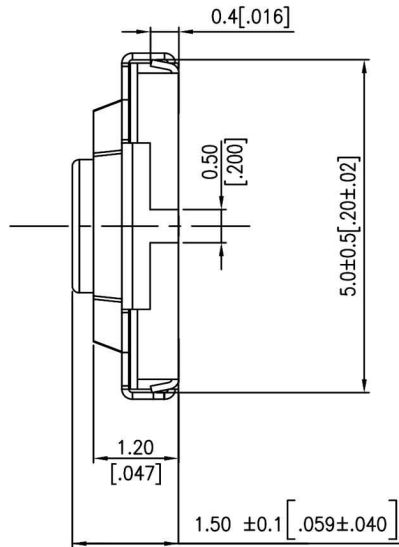
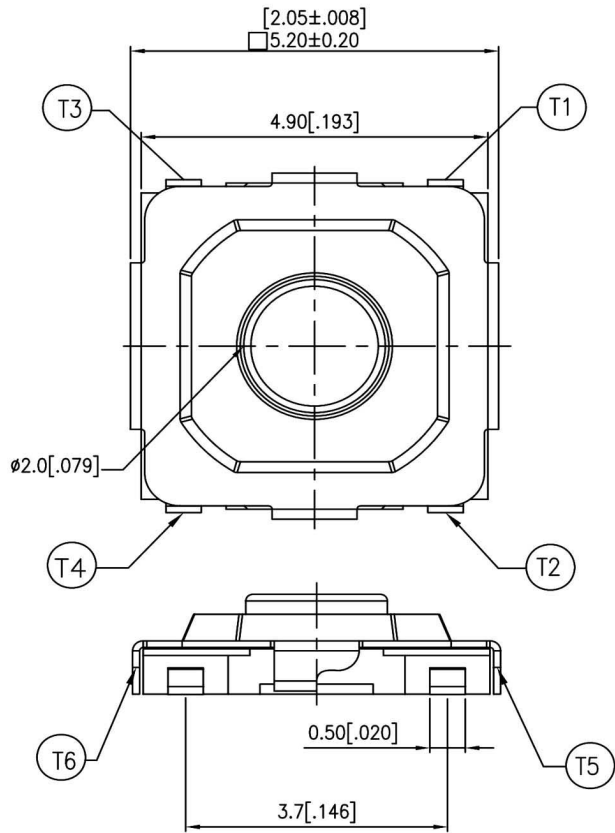


1 2 3 4 5 6 7 8

A  
B  
C  
D  
E  
F  
G  
H



| ITEM | DESC.         | Q'TY | MATERIALS                           | TREATMENT            | REMARK |
|------|---------------|------|-------------------------------------|----------------------|--------|
| 1.   | METAL STEM    | 1    | SPCF                                | NI PLATING           | -      |
| 2.   | COVER         | 1    | NICKEL SILVER                       |                      | -      |
| 3.   | ADHESIVE TAPE | 1    | TEFLON                              | NONE                 | -      |
| 4.   | TERMINAL      | 1    | PHOSPHOR BRONZE                     | WITH SILVER PLATING  | -      |
| 5.   | CONTACT       | 1    | STAINLESS STEEL                     | WITH SILVER CLADDING | -      |
| 6.   | BASE          | 1    | HIGH - TEMP<br>THERMOPLASTIC<br>LCP | MOLDED BLACK         | -      |

|                |            |  |  |
|----------------|------------|--|--|
| RoHS Compliant |            | <b>玄茂科技股份有限公司</b><br><b>HSUAN MAO TECHNOLOGY CO., LTD.</b> |  |
| APPD. 核准       |            | TOLERANCE 容許公差   | PART NAME 品名   |
| DWG. 製圖        | Betty      | .0 ± 0.30<br>.00 ± 0.20<br>ANG. ± 3°                       | 5.0X5.0mm TACT SWITCH TERMINAL TYPE :SMT BEND TYPE<br>GROUND PIN IN CENTRAL METAL STEM:NICKEL<br>OPERATING FORCE:160gf INSULATOR: LCP(Halogen Free)<br>REEL PACKING ROHS |
| DATE 制表日       | 2015/02/03 | SIZE 紙張尺寸  | PART NO. 料號  |
|                |            | A 4  | C8707-QBNNR00H   |
|                |            | PAGE 張數 1 OF 1   |  |
|                |            | REV. 版次 A  |  |

1 2 3 4 5 6 7 8