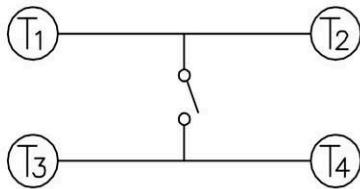
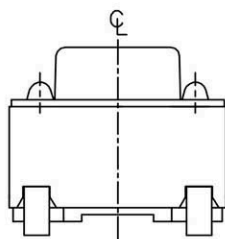
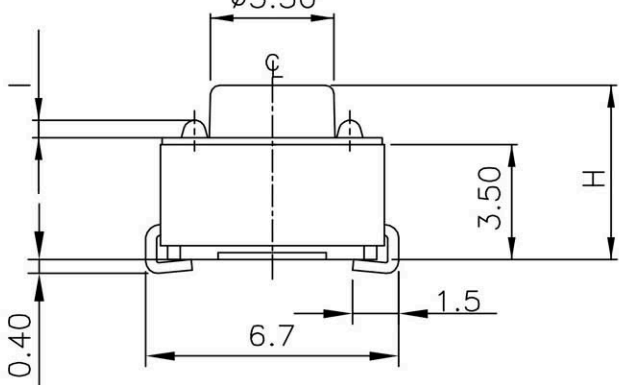
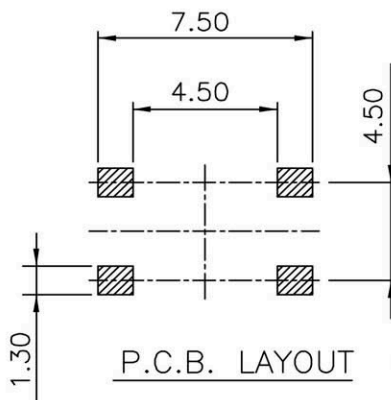
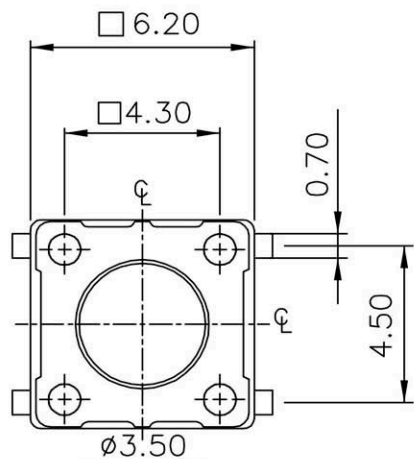
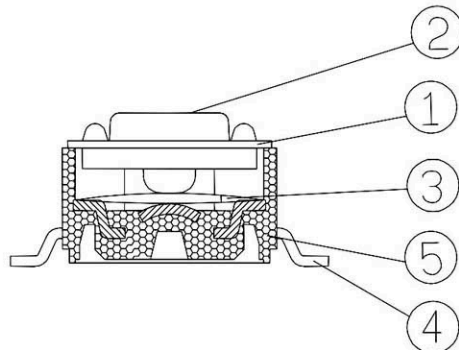


NOTE:

1. ALL DIMENSIONS ARE IN MILLIMETERS.
2. GENERAL TOLERANCES MAX.±0.20mm.



CIRCUIT DIAGRAM



ITEM	DESC.	Q'TY	MATERIALS	TREATMENT	REMARK
1.	COVER	1	STAINLESS STEEL	NONE	-
2.	STEM	1	HIGH - TEMP THERMOPLASTIC NYLON UL 94V-0	→	-
3.	CONTACT	1	STAINLESS STEEL	WITH SILVER PLATING	-
4.	TERMINAL	1	BRASS	WITH SILVER PLATING	-
5.	BASE	1	HIGH - TEMP THERMOPLASTIC NYLON UL 94V-0	MOLDERD BROWN	-

Color Of Stem For Operating Force:

- B = Brown ,160g
- C = Red ,260g
- D = Salmon,320g
- E = Yeelow,520g

C8714-JXXR0000R	13.0	0.6 MAX
C8714-EXXR0000R	9.5	
C8714-CXXR0000R	7.0	
C8714-BXXR0000R	5.0	
C8714-AXXR0000R	4.3	0.5 MAX
PROD. NO.	H	I

RoHS Compliant

HSM 玄茂科技股份有限公司
HSUAN MAO TECHNOLOGY CO., LTD.

APPD. 核准
 DWG. 製圖 Helen
 DATE 制表日 2020/12/15

SCALE 比例 參考
 UNIT 單位 MM
 PAGE 張數 1 OF 1

TOLERANCE 容許公差
 0 ± 0.35
 .00 ± 0.25
 ANG. ± 5°
 SIZE. 紙張尺寸 A4
 REV. 版本 A

PART NAME 品名
 6X6MM TACT SWITCH BEND SMT TYPE REEL PACKING ROHS

PART NO. 料號
 C8714-XXXR0000R