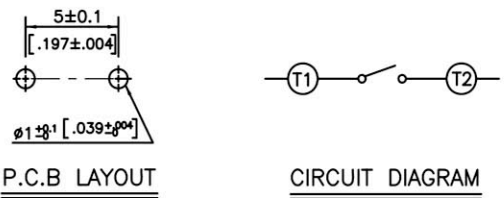
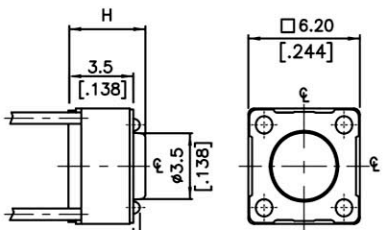
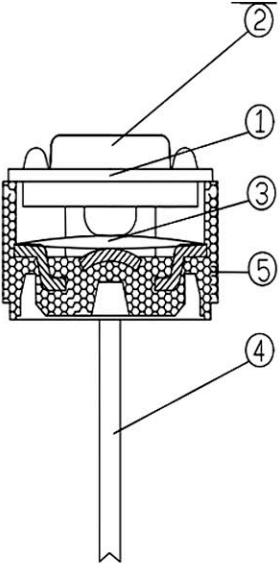


C8716-X(B,C,E,J)XR00000R	0.6 MAX	.0236 MAX
C8716-XAXR00000R	0.5 MAX	.0197 MAX
PROD. NO.	I	INCHES.

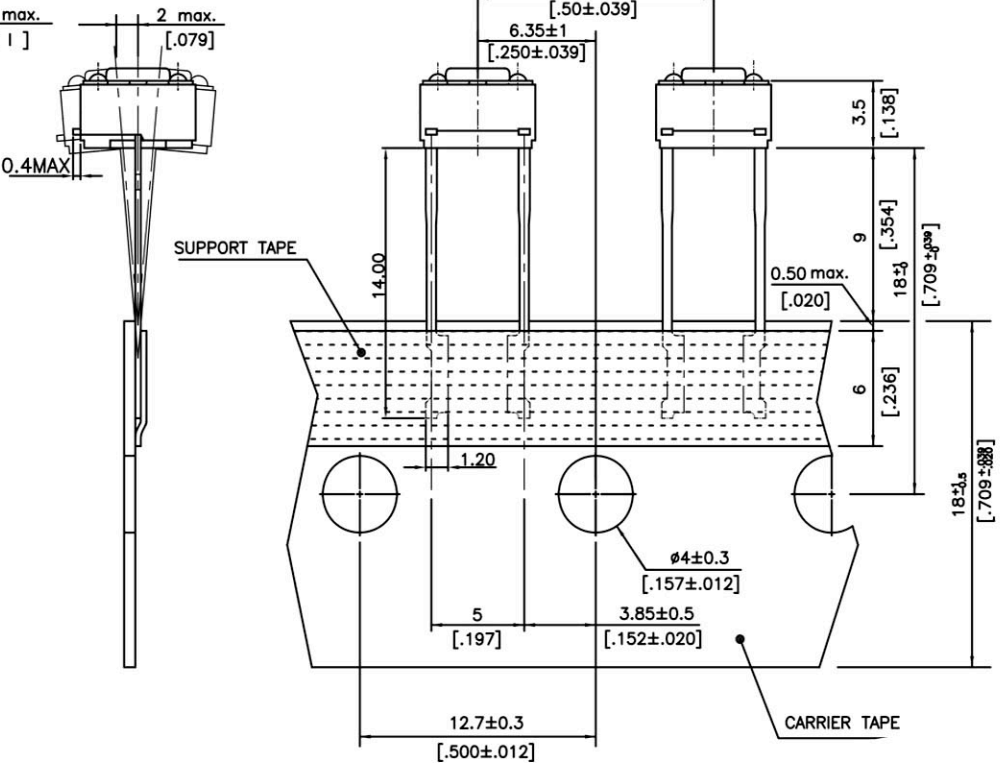


J	13.0 [.512]
E	9.5 [.374]
C	7.0 [.275]
B	5.0 [.197]
A	4.3 [.169]
	H



OPERATING FORCE & COLOR:
 A:100gf / Black
 B:160gf / Brown
 C:260gf / Red

NOTE:
 1. ALL DIMENSIONS ARE IN MILLIMETERS, BRACKETED DIMENSIONS ARE IN INCHES.
 2. GENERAL TOLERANCES MAX.±0.20mm.



ITEM	DESC.	Q'TY	MATERIALS	TREATMENT	REMARK
1.	COVER	1	STAINLESS STEEL	TIN PLATED 100μ"MIN	-
2.	STEM	1	THERMOPLASTIC NYLON UL 94V-0	→	-
3.	CONTACT	1	PHOSPHOR BRONZE	WITH SILVER CLADDING	-
4.	TERMINAL	1	BRASS	WITH SILVER PLATING	-
5.	BASE	1	THERMOPLASTIC NYLON UL 94V-0	MOLDED BLACK	-

RoHS Compliant	HSM 玄茂科技股份有限公司 HSUAN MAO TECHNOLOGY CO., LTD.	
	APPD. 核准 DWG. 製圖 DATE 制表日 2017/10/13	SCALE 比例 UNIT 單位 PAGE 張數 Helen M M 1 OF 1
PART NAME 品名 TACT SWITCH THROUGH HOLE TYPE PORD. SIZE:6.2X6.2MM KNOB:ROUND TYPE REEL+BOX PACKING ROHS		
PART NO. 料號 C8716-XXR100000R		