

1 2 3 4 5 6 7 8

A

B

C

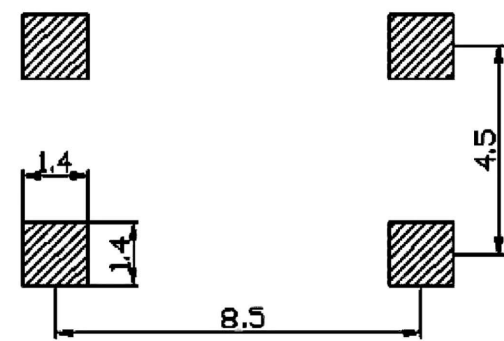
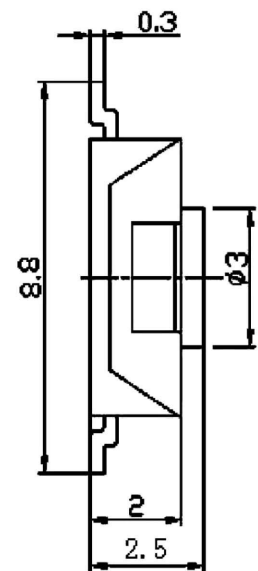
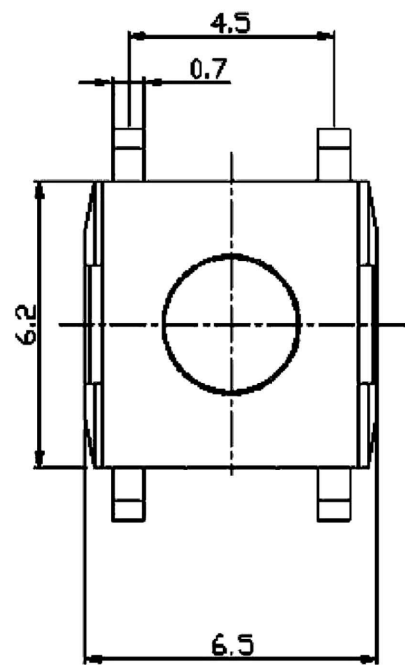
D

E

F

G

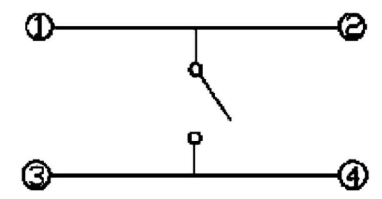
H



P.C.B. LAYOUT

RATING: DC12V 50mA
 WITHSTAND VOLTAGE: AC250V(50Hz)/min
 CONTACT RESISTANCE: 100mΩ max
 INSULATION RESISTANCE: 100MΩ min
 TRAVEL TO CLOSURE: 0.25±0.1mm
 OPERATION FORCE: 160gf±50gf 250gf±50gf
 LIFE TEST: 100,000 cycles

CIRCUIT DIAGRAM



6				
5	TERMINAL	BRASS	4	Ag-PLATED
4	SPRING	PHOSPHOR BRONZE	1	
3	HOUSING	PA66	1	BLACK
2	COVER	SPCC	1	Ni-PLATED
1	KNOB	PA66	1	RED
NO.	DESCRIPTION	MATERIAL	QTY.	PLATED

RoHS Compliant

HSM 玄茂科技股份有限公司
HSUAN MAO TECHNOLOGY CO., LTD.

APPD. 核准 Betty		TOLERANCE 容許公差 .0 ± 0.30 .00 ± 0.20 ANG. ± 3°
DWG. 製圖 Betty		SCALE 比例 參考 UNIT 單位 M M PAGE 張數 1 OF 1
DATE 制表日 2017/10/19	REV. 版次 A	PART NAME 品名 6.2X6.5mm TACT SWITCH SMT TYPE H=2.5mm WITHOUT GROUND PIN BUTTON COLOR: RED ROHS

PART NO.
料號 C8720-AXNRX000R

A

B

C

D

E

F

G

H

1 2 3 4 5 6 7 8