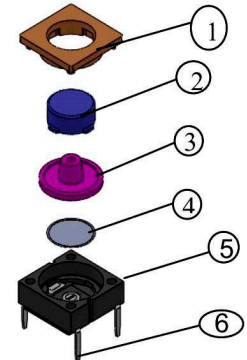
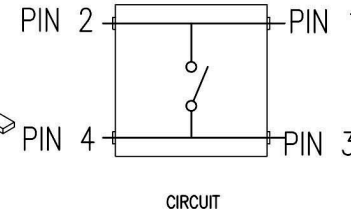
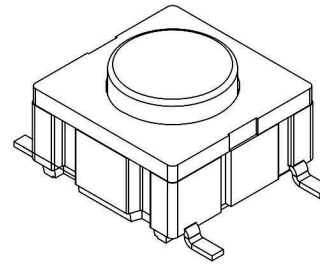
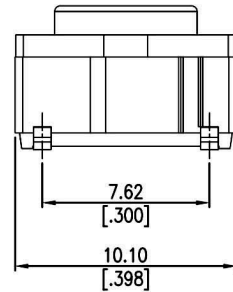
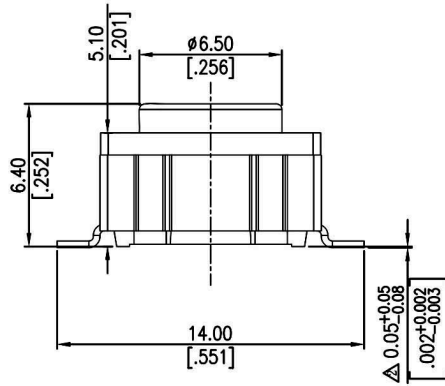


ITEM	DESC.	Q'TY	MATERIALS	TREATMENT
1.	COVER	1	HIGH TEMP THERMOPLASTIC	BLACK
2.	PUSH BUTTON	1or2	HIGH TEMP THERMOPLASTIC	BLACK.WHITE
3.	RUBBER	1	SILICONE RUBBER	BLACK
4.	CONTACT	1	STAINLESS STEEL	WITH SILVER CLADDING
5.	BASE	1	HIGH TEMP THERMOPLASTIC	BLACK
6.	TERMINAL	1	BRASS	WITH SILVER PLATING
7.	METAL HOLDER	1	NICKEL SILVER	-



**NOTE:**

- 1.ALL DIMENSIONS ARE IN MILLIMETERS,BRACKETED DIMENSIONS ARE IN INCHES.
- 2.GENERAL TOLERANCES MAX.±0.20mm.

**SPECIFICATIONS:**

- 1.RATING: DC 24V 50mA
- 2.LIFE: 10,000,000 cycles
- 3.OPERATION FORCE: 300gf±75gf
- 4.STROKE: 1.0±0.2mm
- 5.CONTACT RESISTANCE: 30mOhm MAX
- 6.DIELECTRIC STRENGTH: AC 250V 1 MINUTE
- 7.INSULATION RESISTANCE: 10MOhm MIN
- 8.OPERATION TEMPERATURE RANGE: -40°C~ +160°C

RoHS  
Compliant

**HSM** 玄茂科技股份有限公司  
HSUAN MAO TECHNOLOGY CO., LTD.

APPD.  
核准  
Betty  
DATE 制表日  
2022/09/16

SCALE  
比例 参考  
UNIT  
單位 M M  
PAGE  
張數 1 OF 1

TOLERANCE  
容許公差  
.0 ± 0.30  
.00 ± 0.20  
ANG. ± 3°  
SIZE.  
紙張尺寸 A 4  
REV.  
版次 A

PART NAME 品名  
10X10mm IP67 WASHABLE TYPE TACT SWITCH  
SMT TYPE KNOB HEIGHT:6.4mm  
OPERATING FORCE:300gf BUTTON COLOR:BLACK  
REEL PACKING ROHS  
PART NO.  
料號 C8744-AADBR000R