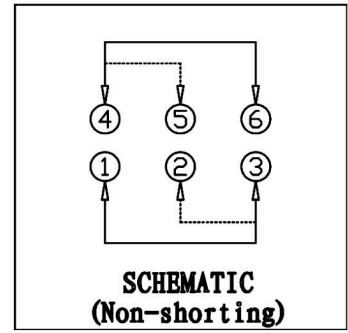
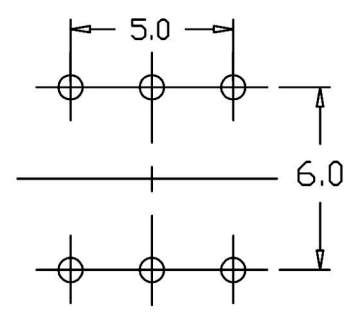
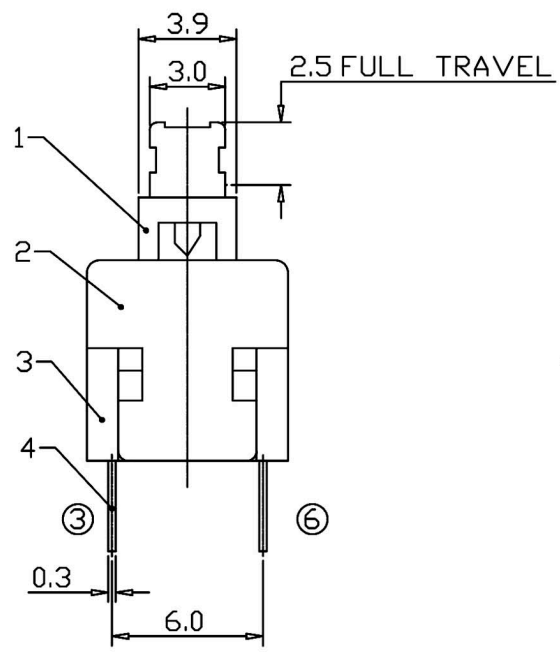
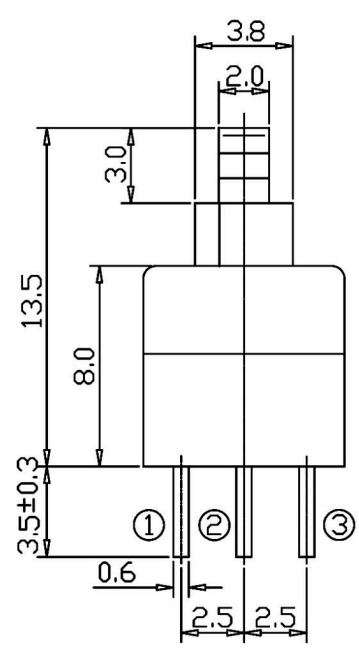
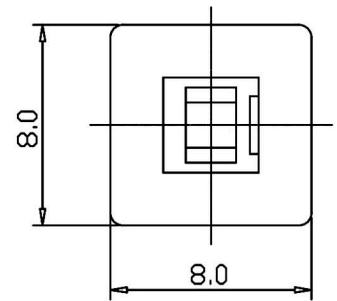


1 2 3 4 5 6 7 8

A  
B  
C  
D  
E  
F  
G  
H

A  
B  
C  
D  
E  
F  
G  
H



**SPECIFICATION**

- 1. Rated Load : DC30V 0.1A;
- 2. Contact resistance:  $\leq 100m\Omega$  ;
- 3. Insulation resistance:  $\geq 100M\Omega$  ;
- 4. Withstand voltage: AC250V ;
- 5. Operating force:  $250\pm 100gf$ ;
- 6. life test: 10,000 cycles.

6	SPRING	STEEL WIRE	1	NATURE
5	CONTACT CLIP	PBS STRIP	2	Ag CLAD
4	TERMINAL	BRASS STRIP	6	Ag PLATED
3	CASE	NYLON	1	BLACK
2	COVER	POM	1	WHITE
1	KNOB	POM	1	BLUE
NO.	PART NAME	MATERIAL	QTY.	FINISHING

<p>RoHS Compliant</p>		<p><b>HSM</b> 玄茂科技股份有限公司 HSUAN MAO TECHNOLOGY CO., LTD.</p>	
<p>APPD. 核准</p>		<p>TOLERANCE 容許公差</p> <p><math>\leq</math> <math>\pm 0.1</math></p> <p><math>&gt;</math> <math>\pm 0.2</math></p> <p>ANG. <math>\pm 2^\circ</math></p>	<p>PART NAME 品名</p> <p>8.0X8.0MM PUSH SWITCH 2X3PIN OPERATING FORCE:250gf</p> <p>NON LOCK TYPE KNOB COLOR:BLUE COLOR</p> <p>HOUSING COLOR:BLACK COLOR COVER COLOR:WHITE COLOR</p> <p>SILVER PLATING ROHS</p>
<p>DWG. 製圖</p> <p>Betty</p>	<p>SCALE 比例 參考</p> <p>UNIT 單位 M M</p> <p>PAGE 張數 1 OF 1</p>	<p>SIZE 紙張尺寸 A 4</p> <p>REV. 版次 C</p>	<p>PART NO.</p> <p>料號 C8850-06CNLV00R</p>
<p>DATE 制表日</p> <p>2022/12/08</p>			

1 2 3 4 5 6 7 8