

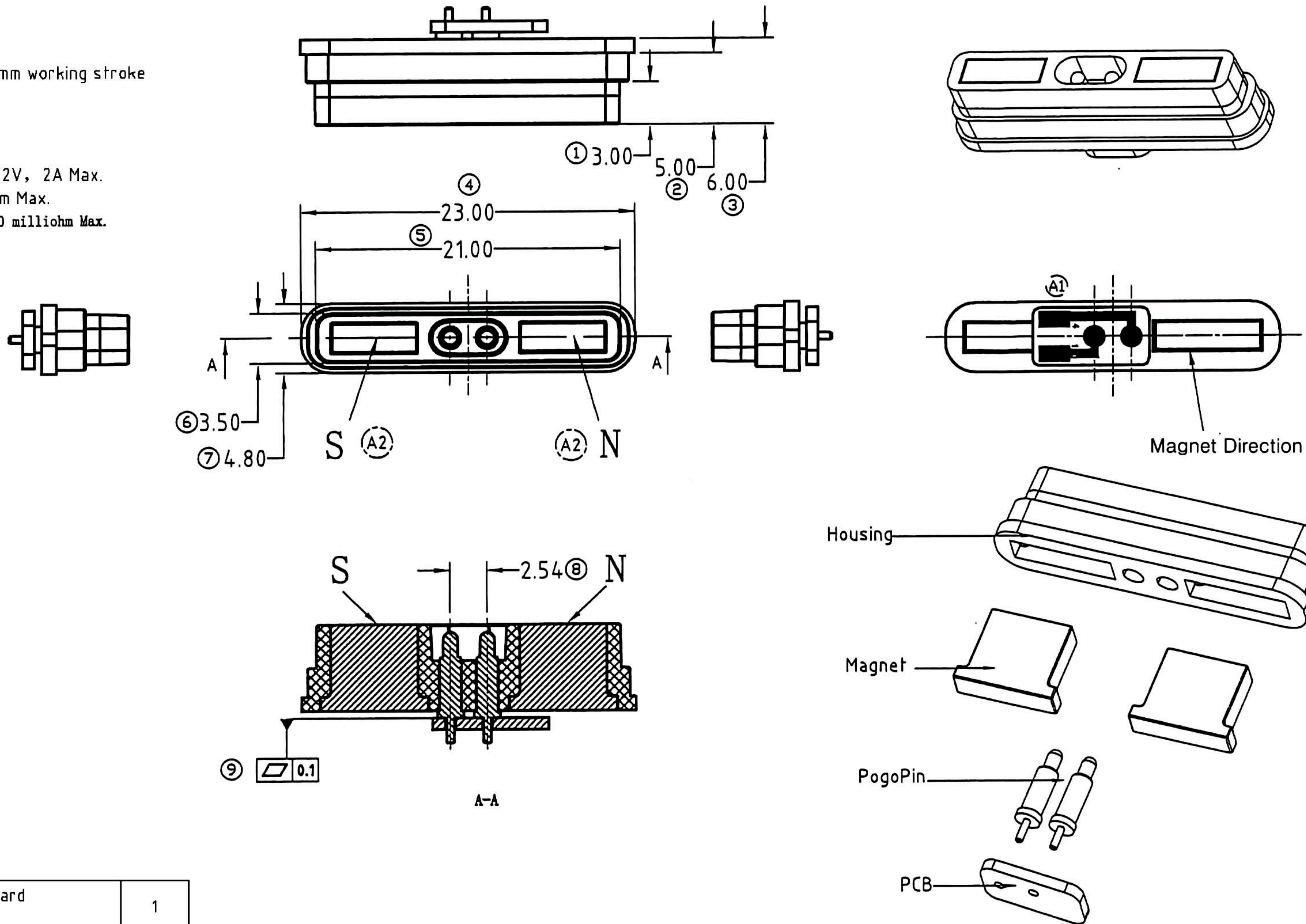
Note:

Mechanical:

- .Contact force: 70g±20g at 1.0mm working stroke
- .Full stroke: 1.40mm
- .Life test: 50,000 cycles

Electrical:

- .Rated current & voltage: DC 12V, 2A Max.
- .Contact resistance: 50 milliohm Max.
- .Single pin static impedance: 30 milliohm Max.



5	PCB Polyester fiber board	1
4	Pogo pin plating 0.125um Au	2
3	N52 NdFeB Magnet plating Ni-Cu-Ni	1
2	N52 NdFeB Magnet plating Ni-Cu-Ni	1
1	Black HTN UL94 V-0	1
<NO.>	<Specification>	<Qty>

<p>RoHS Compliant</p>		<p>HSM 玄茂科技股份有限公司 HSUAN MAO TECHNOLOGY CO., LTD.</p>	
<p>APPD. 核准 HELEN</p>	<p>SCALE 比例 參考</p>	<p>TOLERANCE ANGEL ±2° 0~6 ±0.10 6~30 ±0.20 30~150 ±0.30</p>	<p>PART NAME 品名 2.54MM MAGNETIC POGO PIN CONNECTOR 180° 2PIN MALE WITH P.C.B. SPRING FORCE:70gf RATED CURRENT:2AMP GOLD 5U" PLATING BLACK COLOR INSULATOR MATERIAL:HTN UL94V-0 ROHS</p>
<p>DWG. 製圖 ABBY</p>	<p>UNIT 單位 MM</p>	<p>SIZE. 紙張尺寸 A4</p>	<p>PART NO. 料號 C9551-02MAAAMBR</p>
<p>DATE 制表日 2021/11/19</p>	<p>PAGE 張數 1 OF 1</p>	<p>REV. 版次 A</p>	