

1 2 3 4 5 6 7 8

A

B

C

D

E

F

G

H

A

B

C

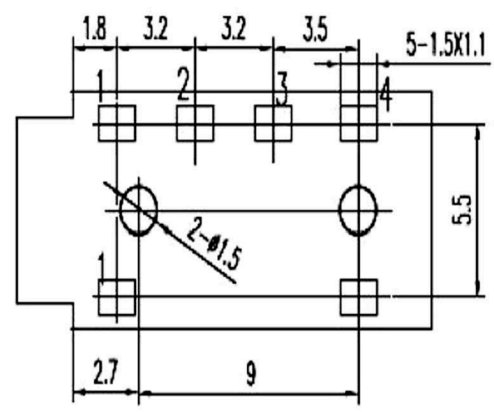
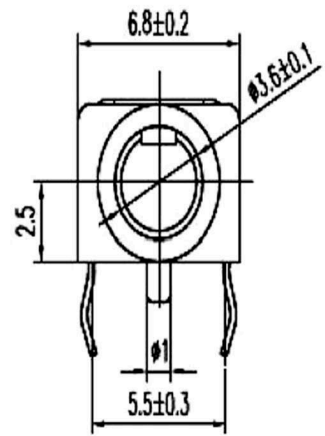
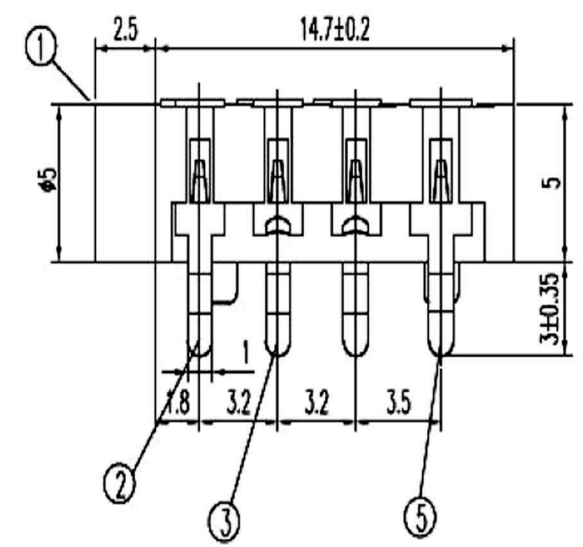
D

E

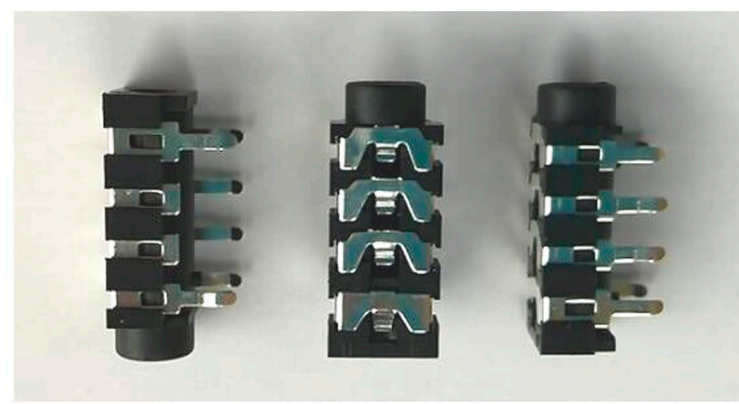
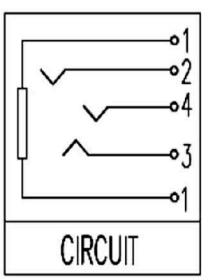
F

G

H



P.C.B HOLE LAYOUT  
TOP VIEW



- NOTE:
1. Current Rating: DC 30V 0.5A
  2. Temperature Range:-55?~+105?
  3. Withstand Voltage: AC 500V (50Hz) / mir
  4. Insulation Resistance: 100MΩ DC500V max.
  5. Contact Resistance: 30mΩ under.
  6. Mechanical Life :5000 times

4	TERMINAL	1	Phosphor bronze t=0.25	MB:Cu Cu/Sn PLATED
3	TERMINAL	2	Phosphor bronze t=0.25	MB:Cu Cu/Sn PLATED
2	TERMINAL	1	Phosphor bronze t=0.25	MB:Cu Cu/Sn PLATED
1	HOUSING	1	PBT UL-94V0	BLACK
LTR	NAME	Q'TY	MATERIAL	FINISH

RoHS Compliant		HSM 玄茂科技股份有限公司 HSUAN MAO TECHNOLOGY CO., LTD.	
APPD. 核准	SCALE 比例 参考	TOLERANCE 容許公差 .0 ± 0.30 .00 ± 0.20 ANG. ± 3°	PART NAME 品名 3.5Φ EARPHONE JACK 6PIN WITH TWO PLASTIC POSTS TIN PLATING BLACK INSULATOR ROHS
DWG. 製圖 Betty	UNIT 單位 M M	SIZE 紙張尺寸 A 4	PART NO. 料號 C9607-06ATB000R
DATE 制表日 2015/09/08	PAGE 張數 1 OF 1	REV. 版次 A	

1 2 3 4 5 6 7 8