

1

2

3

4

5

6

7

8

A

B

C

D

E

F

G

H

A

B

C

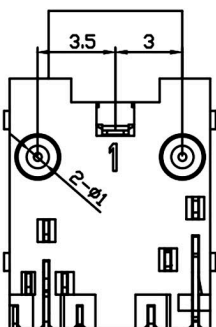
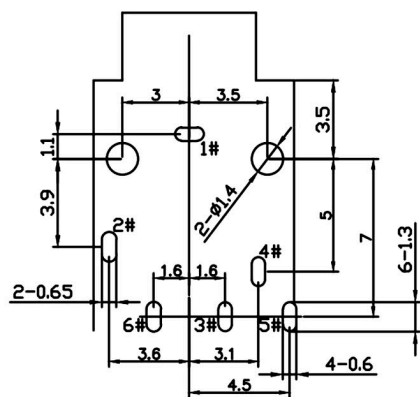
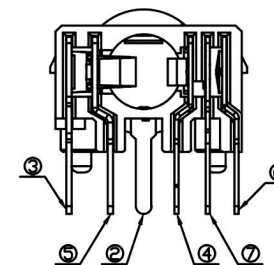
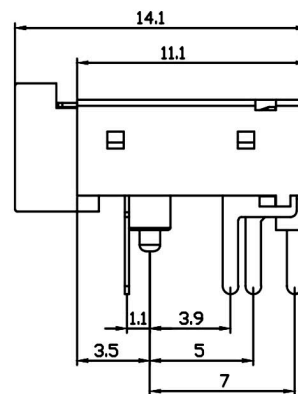
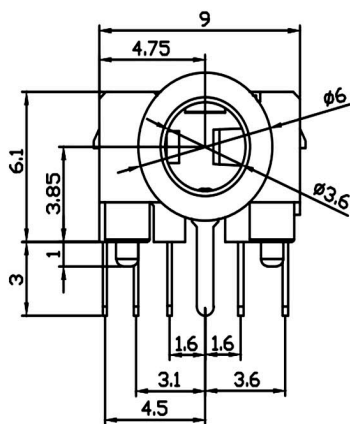
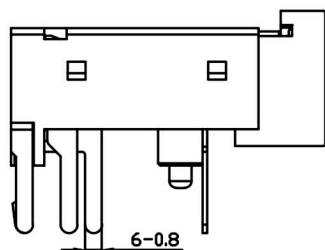
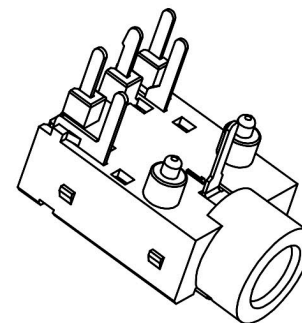
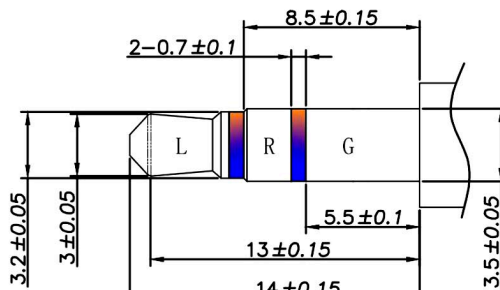
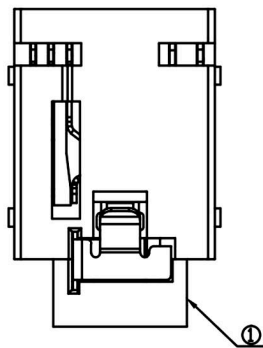
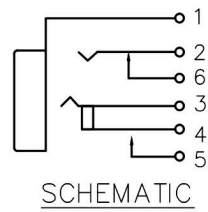
D

E

F

G

H



7	TERMINAL-4	1	QSn6.5-0.1Y	Ag-Plated	
6	TERMINAL-5	1	QSn6.5-0.1Y	Ag-Plated	
5	TERMINAL-6	1	H62	Ag-Plated	
4	TERMINAL-3	1	QSn6.5-0.1Y	Ag-Plated	
3	TERMINAL-2	1	QSn6.5-0.1Y	Ag-Plated	
2	TERMINAL-1	1	QSn6.5-0.1Y	Ag-Plated	
1	HOUSING	1	PBT		
NO.	PART NAME	TER.NO.	QT'Y	MATERIAL	REMARK

- NOTES:
- 1.RATING:DC 30V 0.5A
 - 2.CONTACT RESISTANCE:50m ΩMAX
 - 3.DIELECTRIC WITHSTANDING VOLTAGE:500V AC FOR ONE MINUTE.
 - 4.INSULATION RESISTANCE:100M Ω MIN. MEASUTD BY 500V DC
 - 5.PLUG INSERTION FORCE:0.3~3.0kgf.
 - 6.PLUG WITHDRAWAL FORCE:0.3~3.0kgf.
 - 7.DURABILITY TEST:5,000 CYCLES.

RoHS Compliant **HSM** 玄茂科技股份有限公司
HSUAN MAO TECHNOLOGY CO., LTD.

APPD. 核准	SCALE 比例 參考	TOLERANCE Angle ±5° 63 < L ≤ 63 ±0.5 16 < L ≤ 63 ±0.4 4 < L ≤ 16 ±0.3 L < 4 ±0.2	PART NAME 品名 3.5Φ EARPHONE JACK 6P HEAD TYPE W/ PLASTIC INSULATOR W/O THREAD W/ LOCATING PEG SILVER PLATING BLACK INSULATOR ROHS
DWG. 製圖 Betty	UNIT 單位 M M	SIZE. 紙張尺寸 A 4	PART NO. 料號 C9613-06AYXB00R
DATE 制表日 2021/02/24	PAGE 張數 1 OF 1	REV. 版次 B	

1

2

3

4

5

6

7

8