

1 2 3 4 5 6 7 8

A

B

C

D

E

F

G

H

A

B

C

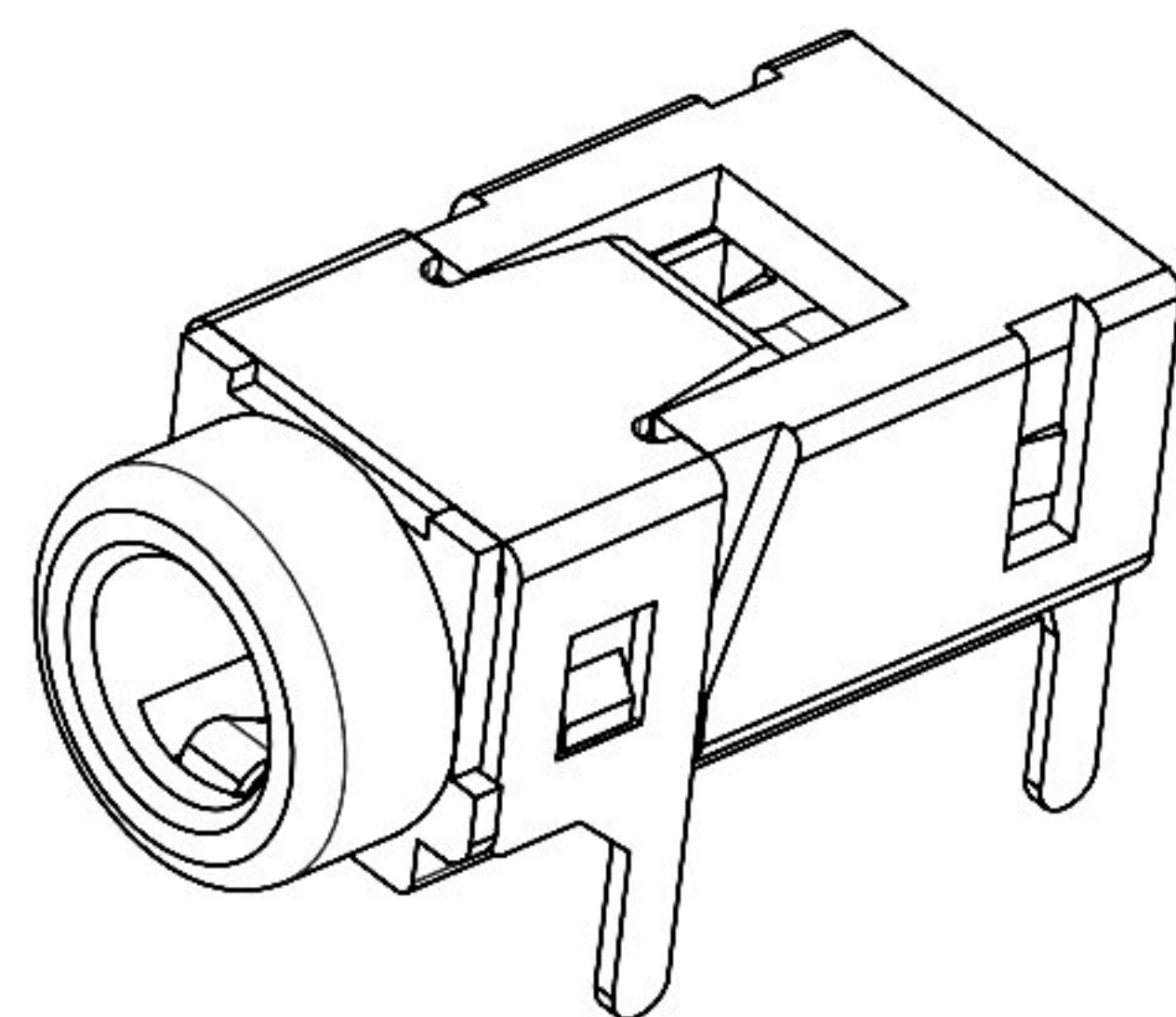
D

E

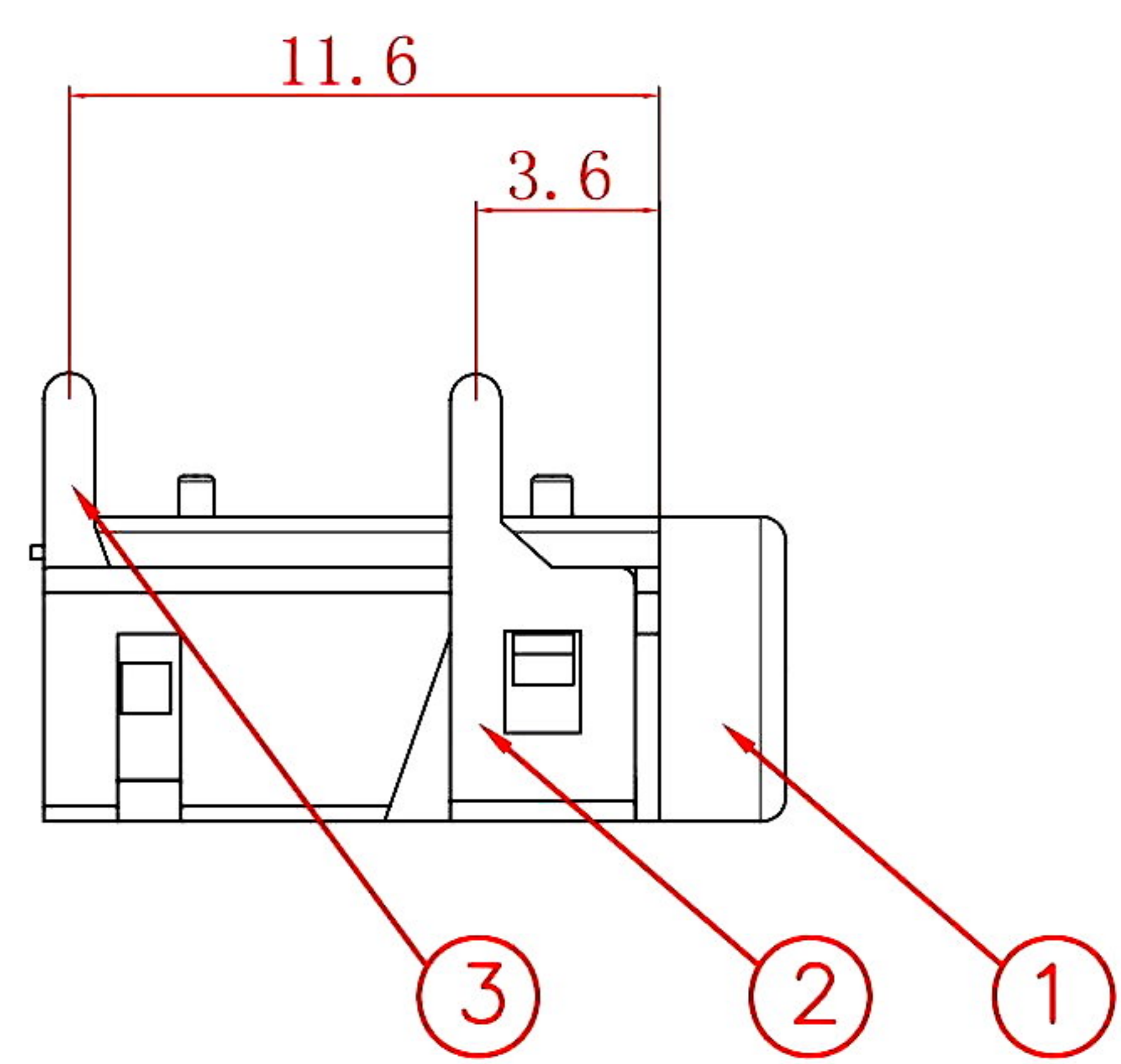
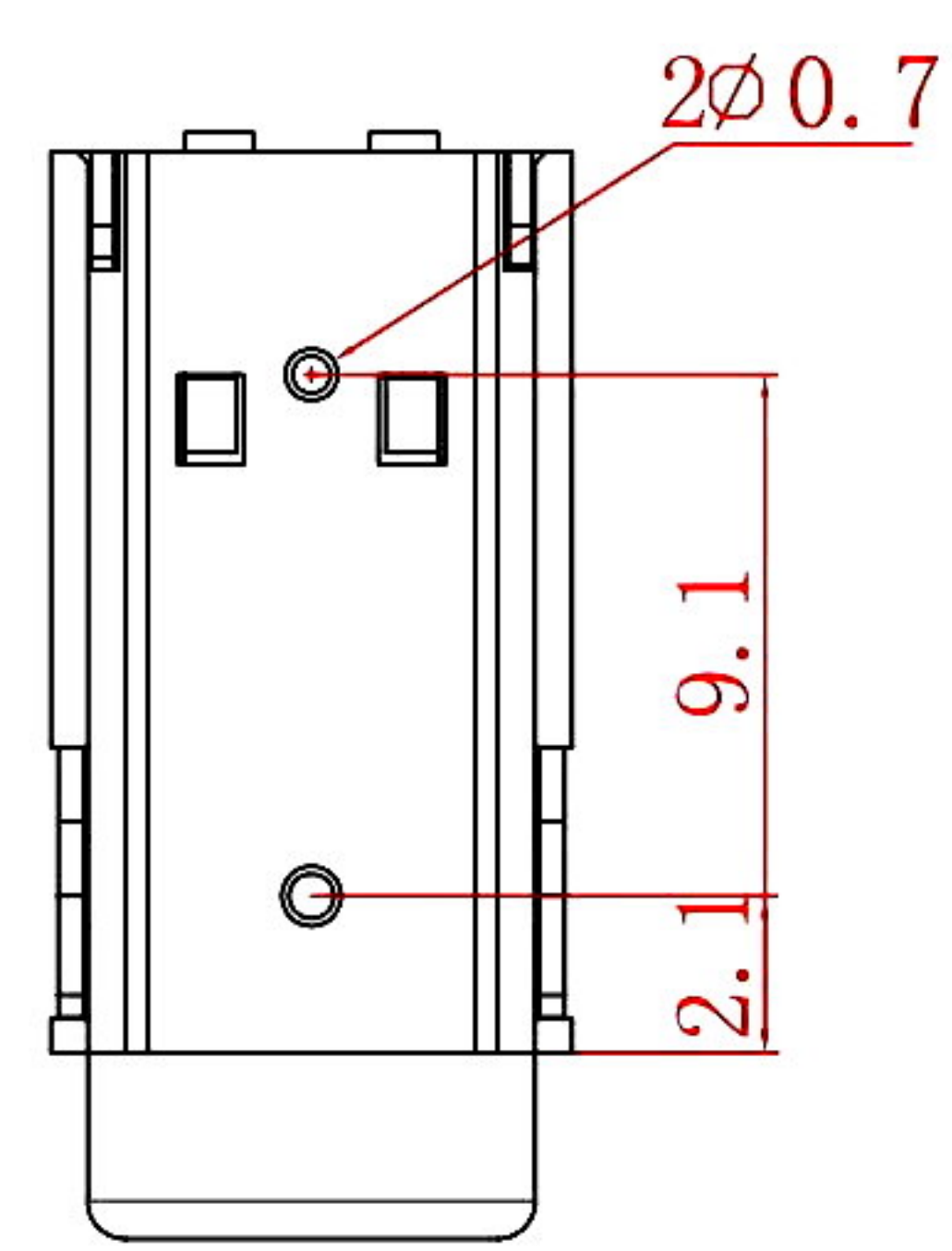
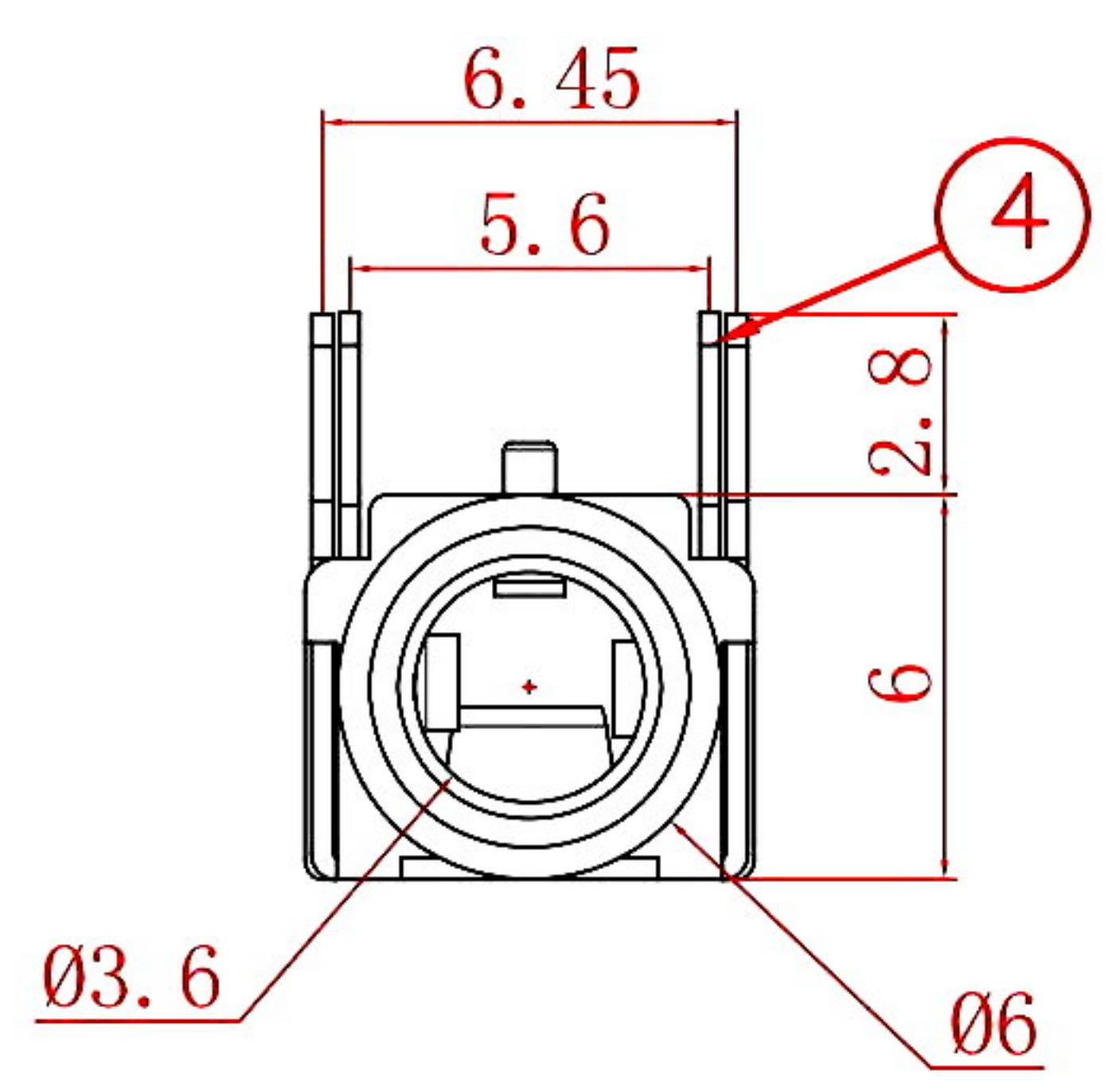
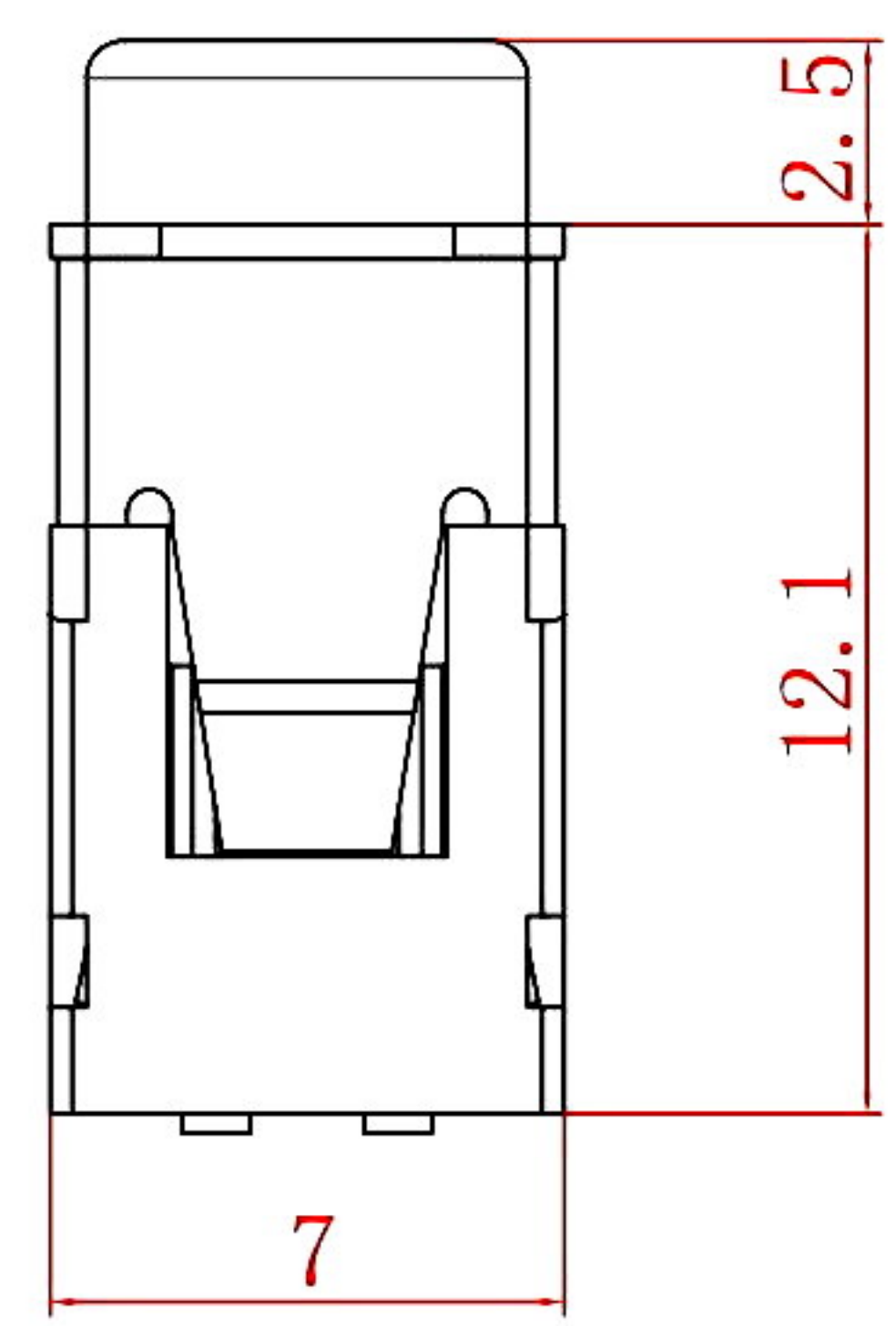
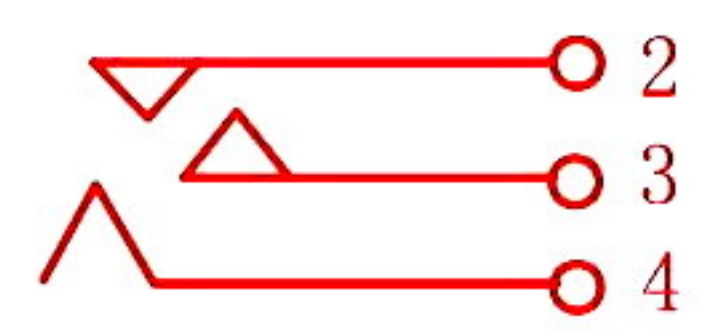
F

G

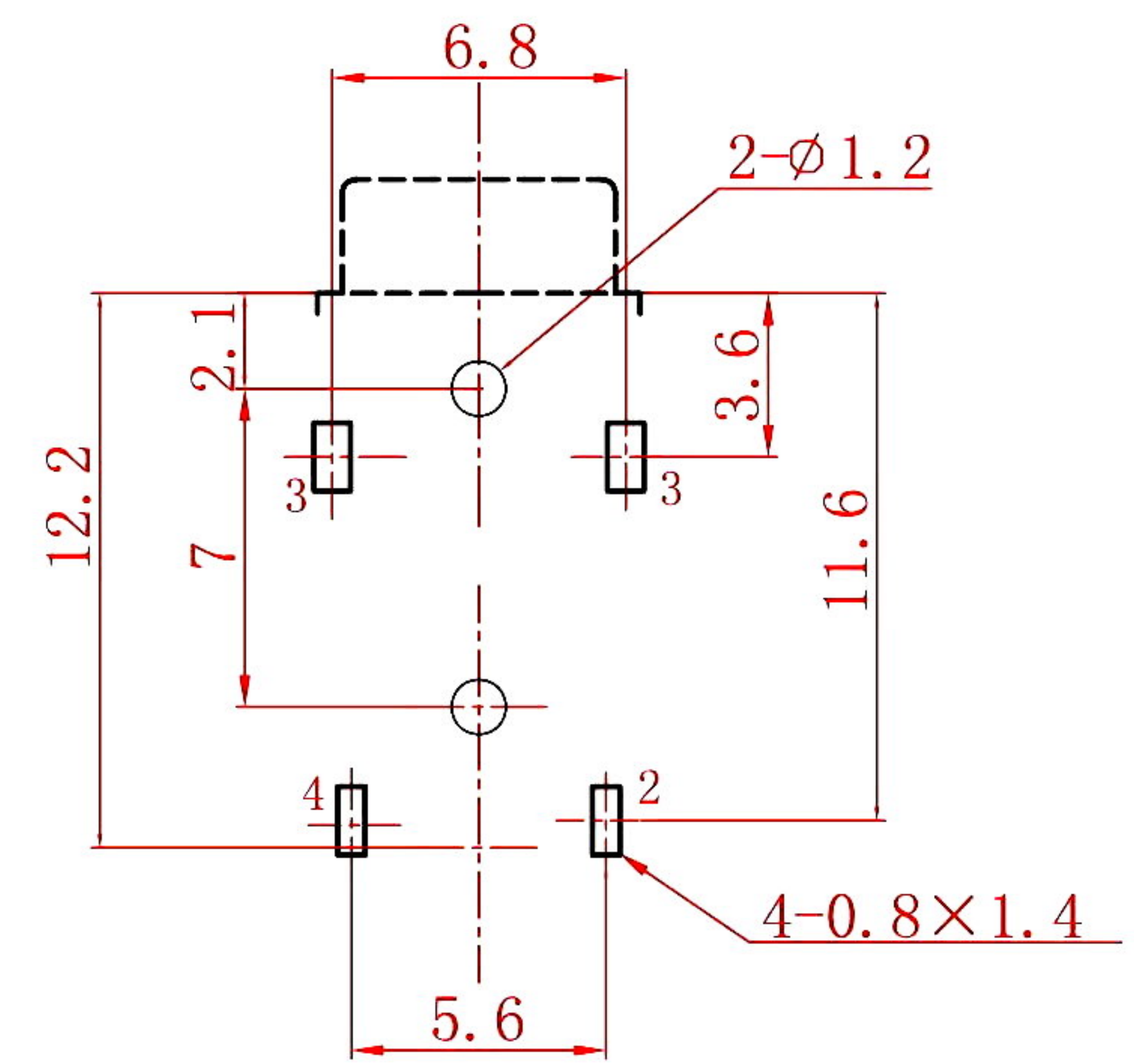
H



SCHEMATIC



P.C.B LAYOUT



SPECIFICATIONS:

1. Rating: 30V 0.5A
2. Contact Resistance : $\leq 0.03\Omega$
3. Insulation Resistance : $\geq 100M\Omega$
4. Dielectric Withstanding Voltage : AC500V (50Hz) / min.
5. Insertion & Extraction Force : 3~20N
6. Durability (Life Test) : 5,000 Cycles

4	2#	1	QSn6.5-0.1(TIN-BRONZE) T=0.3mm	D.L1Ag
3	3#	1	QSn6.5-0.1(TIN-BRONZE) T=0.3mm	D.L1Ag
2	4#	1	H62(Y) BRASS T=0.35mm	D.L1Ag
1	BODY	1	PPA	BLACK
NO	NAME	Q'TY	MATERIAL	SPEC

<p>RoHS Compliant</p>		<p>HSM 玄茂科技股份有限公司 HSUAN MAO TECHNOLOGY CO., LTD.</p>		
<p>APPD. 核准 HELEN</p>	<p>SCALE 比例 參考</p>	<p>TOLERANCE 容許公差 .0 ±0.3 .00 ± ANG ±</p>	<p>PART NAME 品名 Φ3.5MM EARPHONE JACK 4PIN WITH 2 PLASTIC POSTS SILVER PLATING BLACK INSULATOR ROHS</p>	
<p>DWG. 製圖 ABBY</p>	<p>UNIT 單位 MM</p>	<p>SIZE. 紙張尺寸 A 4</p>	<p>PART NO. 料號 C9619-04AVB000R</p>	
<p>DATE 制表日 2020/10/30</p>	<p>PAGE 張數 1 OF 1</p>	<p>REV. 版次 A</p>		

1 2 3 4 5 6 7 8