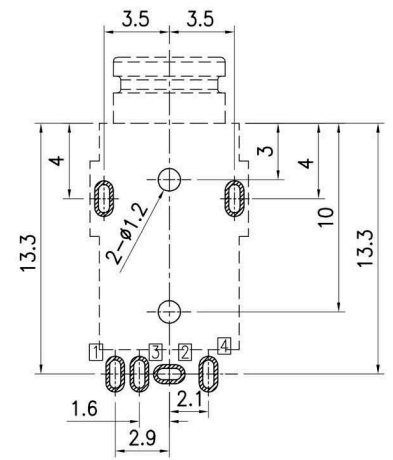
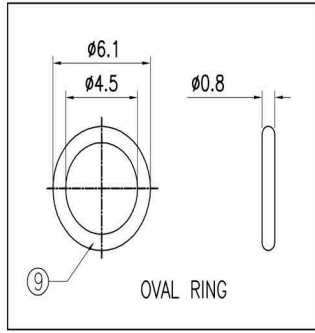
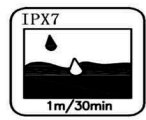


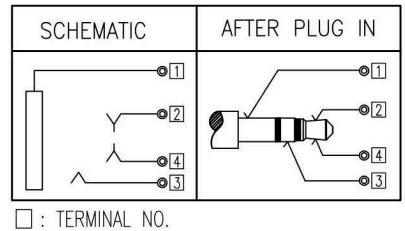
SPECIFICATIONS:

- 1.RATING: 12V, 1A
- 2.CONTACT RESISTANCE:30mΩ OR LESS FOR INITIAL
- 3.VOLTAGE PROOF:500V AC FOR ONE MINUTE
- 4.DURABILITY:5,000 INSERTION/EXTRACTION CYCLES
- 5.INSERTION FORCE:3.0KG MAX
- 6.WITHDRAWAL FORCE:0.3KG MIN
- 7.WATER PROOFNESS: THIS PRODUCT IS BASED ON IPX7(1m,30min)
- 8.USING PLUG: φ3.5MM、3-POLE STEREO
9. OVAL RING
- 9-1. Hardness of silicone rubber:70°
- 9-2. Horizontal flash 0.10mm max;Longitudinal flash 0.10mm max
- 10.HOUSING WITH O-RING'S SEAL AREA BURRS IS 0.05mm MAX.
- 11.FOR REFLOW SOLDERING LEAD-FREE PROCESS.
- 12.PACKAGING: TAPE & REEL.
13. Housings and O-rings are packed separately.
14. The connector can go through the IR process once only.

Note:FOR REFLOW SOLDERING LEAD-FREE PROCESS & The O-Ring can not go through the IR process with waterproof connector together.



Recommend of PC Board Holes
Tolerance : ±0.05(Printed-Top view)



9	OVAL RING	1	SILICONE	GREEN
8	BOND	1	EPOXY	
7	TERMINAL	2	C2680R-H	t=0.20
6	TIP SPRING-2	1	C5210R-EH	t=0.20
5	RING SPRING	1	C5210R-EH	t=0.20
4	TIP SPRING-1	1	C5210R-EH	t=0.20
3	EARTH SPRING	1	C5210R-EH	t=0.20
2	COVER	1	PA9T	UL94V-0 BLACK
1	HOUSING	1	PA9T	UL94V-0 BLACK
LTR	PART NAME	QTY	MATERIAL	REMARK

RoHS
Compliant

HSM 玄茂科技股份有限公司
HSUAN MAO TECHNOLOGY CO., LTD.

APPD. 核准	 SCALE 比例 参考 UNIT 單位 M M PAGE 張數 1 OF 1	-TOLERANCES- UNLESS OTHERWISE SPECIFIED 公差 XX ±0.30 XX ±0.15 XXX ±0.25 XXX ±1 XXXX ±0.20	PART NAME 品名 φ3.5MM EARPHONE JACK WATERPROOF TYPE:IP67 DIP TYPE 4PIN (STEREO) WITH POST MATTE TIN PLATING BLACK COLOR REEL PACKING ROHS	
DWG. 製圖 Betty			SIZE. 紙張尺寸 A 4	PART NO. 料號 C9622-04YZABR0R
DATE 制表日 2021/01/27			REV. 版次 A	