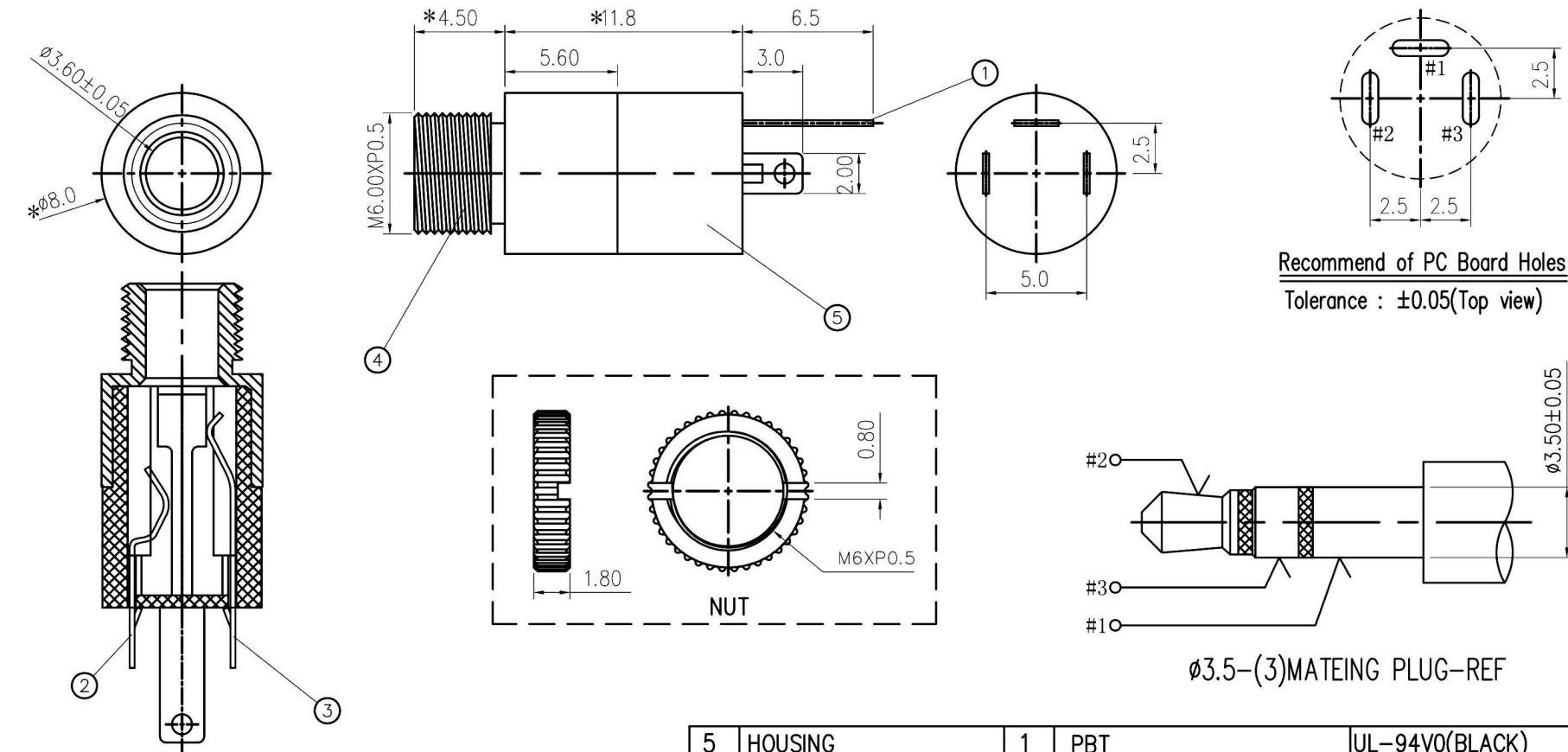


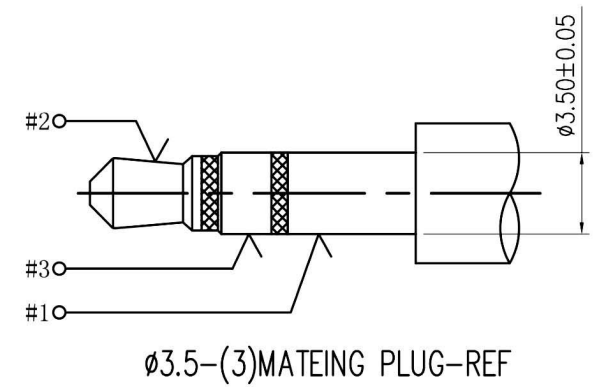
1 2 3 4 5 6 7 8

A
B
C
D
E
F
G
H

A
B
C
D
E
F
G
H

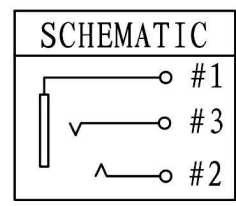


Recommend of PC Board Holes
Tolerance : ±0.05(Top view)



- Notes:
- Electrical Characteristics:
 - Rating : DC 30V 0.5 A ;
 - Contact Resistance: 50mΩ Max.(Initial), 100mΩ Max.(Final) After test: ≤50mΩ ;
 - Dielectric Withstanding Voltage: 500V AC for One Minute ;
 - Insulation Resistance: 100MΩ Min. Measured By 500 VDC;
 - Mechanical Characteristics:
 - Plug Insertion Force 0.3~3.0Kgf (initial), 0.3~3.0Kgf (Final) life test;
 - Plug Extraction Force: 0.3~3.0Kgf (initial), 0.3~3.0Kgf (Final) life test;
 - Durability Test: 5,000 Cycles min;
 - Operating temperature:-25°C ~ +70°C;
 - Soldering Heat Resistance Wave Soldering 230°C;
 - Plug Interface Dimensions Conform To EIAJ RC-5325A Spec;
 - Packaging:Plastic Bag;

5	HOUSING	1	PBT	UL-94V0(BLACK)
4	AXIS SURPPORT	1	COPPER ALLOY	Ni PLATED
3	RING SPRING	1	C5191 t=0.30	MB:Ni Ag PLATED
2	TIP SPRING	1	C5191 t=0.30	MB:Ni Ag PLATED
1	EARTH SPRING	1	C2680 t=0.30	MB:Ni Ag PLATED
LTR	PART NAME	QTY	MATERIAL	REMARK



RoHS
Compliant

HSM 玄茂科技股份有限公司
HSUAN MAO TECHNOLOGY CO., LTD.

APPD. 核准 Betty	SCALE 比例 参考	TOLERANCE XX ±0.30 XX' ±1 XXX ±0.25 XXX' ±1 XXXX ±0.20	PART NAME 品名 3.5Φ EARPHONE JACK 3PIN STRAIGHT TYPE METAL HEAD WITH THREAD SILVER PLATING BLACK INSULATOR WITH NUT ROHS
DWG. 製圖 Lena	UNIT 單位 MM	SIZE. 紙張尺寸 A 4	PART NO. 料號 C9631-03BVBY00R
DATE 制表日 2021/4/20	PAGE 張數 1 OF 1	REV. 版次 A	

1 2 3 4 5 6 7 8