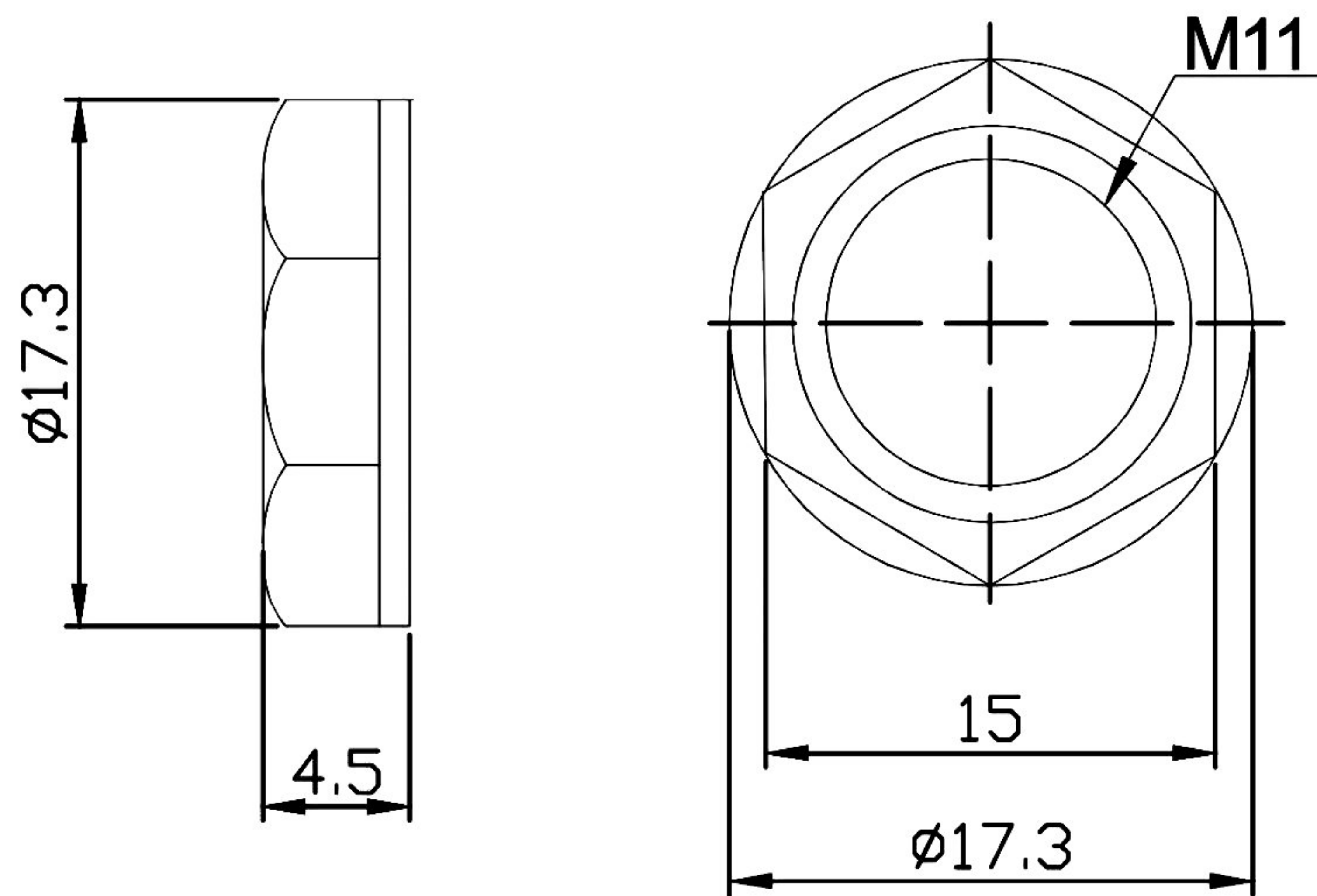
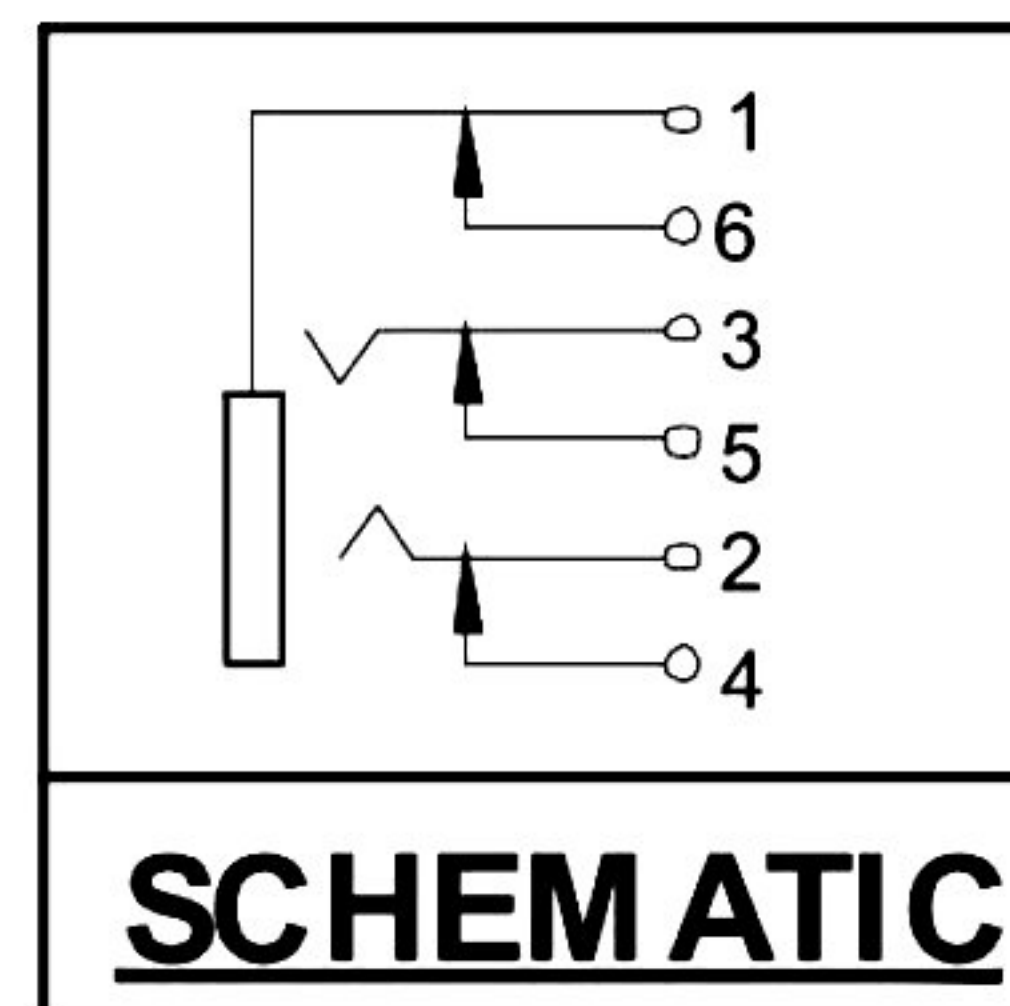


P.C.B. LAND PATTERN
Tolerance : ±0.05(Printed-Top view)



HEX NUT

UNLESS OTHERWISE SPECIFIED, TOLERANCE ON DECIMAL: ±0.3



8	HEX NUT	1	PA66		BLACK
7	TERMINAL-6	1	BRASS	t=0.4	Ag PLATED
6	TERMINAL-5	1	BRASS	t=0.4	Ag PLATED
5	TERMINAL-4	1	BRASS	t=0.4	Ag PLATED
4	TERMINAL-3	1	BRASS	t=0.4	Ag PLATED
3	TERMINAL-2	4	BRASS	t=0.4	Ag PLATED
2	TERMINAL-1	1	BRASS	t=0.4	Ag PLATED
1	HOUSING	1	PA66		UL-94HB(BLACK)
LTR	PART NAME	QTY	MATERIAL		REMARK

RoHS
Compliant

HSM 玄茂科技股份有限公司
HSUAN MAO TECHNOLOGY CO., LTD.

APPD. 核准 HELEN	SCALE 比例 參考	TOLERANCE 容許公差 .0 ± .00 ± ANG ±	PART NAME 品名 φ6.4MM EARPHONE JACK 6P WITH PLASTIC INSULATOR WITH 2 POSTS WITH HEX NUT SILVER PLATING BLACK INSULATOR ROHS
DWG. 製圖 ABBY	UNIT 單位 MM	SIZE. 紙張尺寸 A4	PART NO. 料號 C9633-06PAVBY0R
DATE 制表日 2022/09/08	PAGE 張數 1 OF 1	REV. 版次 B	