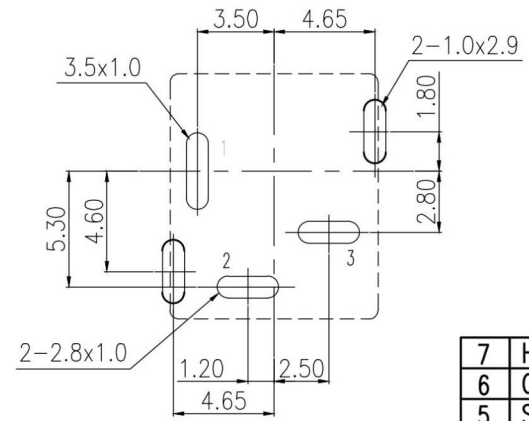
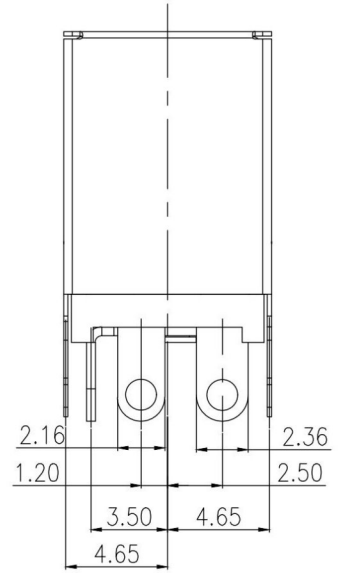
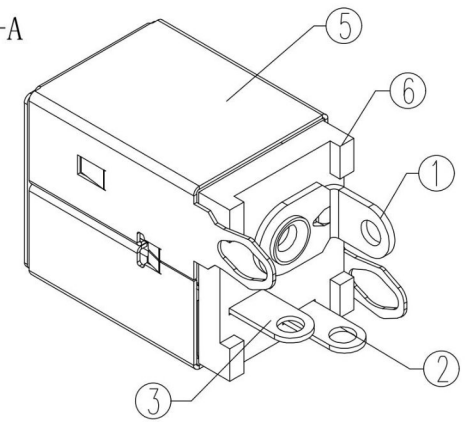
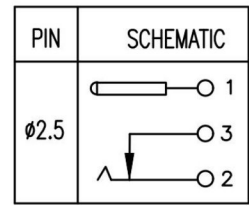


SECTION A-A



T:1.6 Dimensions of PC board holes
Tolerance : ±0.05(Printed-top view)

7	HOUSING	1	PBT 4815	UL-94V0(BLACK)
6	COVER	1	PBT 4815	UL-94V0(BLACK)
5	SHELL	1	SUS301 t=0.20	MB:Cu Ni PLATED
4	CENTER PIN	1	H59(COPPER ALLOY)	MB:Cu Ni PLATED
3	SHUNT TERMINAL	1	C2680 t=0.30	MB:Ni Ag PLATED
2	TIP SPRING	1	C5191 t=0.30	MB:Ni Ag PLATED
1	CENTER PIN TERMINAL	1	C2680 t=0.40	MB:Ni Ag PLATED
LTR	PART NAME	QTY	MATERIAL	REMARK



UNLESS OTHERWISE SPECIFIED, TOLERANCE ON DECIMAL: ±0.3

RoHS Compliant

HSM 玄茂科技股份有限公司
HSUAN MAO TECHNOLOGY CO., LTD.

APPD. 核准 HELEN	SCALE 比例 参考	TOLERANCE 容許公差 .0 ± .00 ± ANG. ±	PART NAME 品名 DC POWER JACK PINφ2.5mm STRAIGHT TYPE NORMAL CLOSE FLAT PIN NICKEL PLATING BLACK COLOR ROHS
DWG. 製圖 ABBY		UNIT 單位 MM	
DATE 制表日 2017/05/16	PAGE 張數 1 / 1	REV. 版次 A	PART NO. 料號 C9732-DCNB0000R