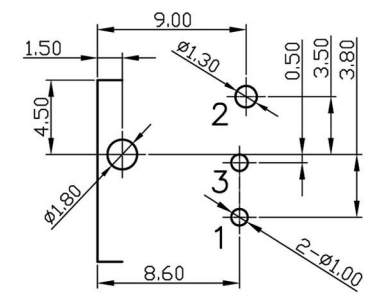
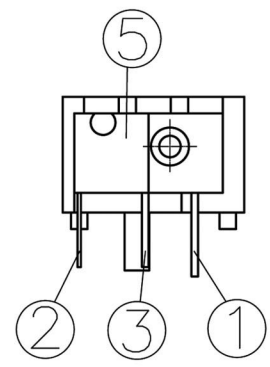
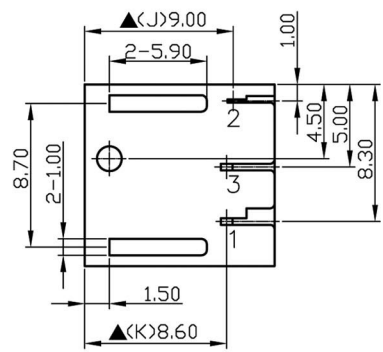
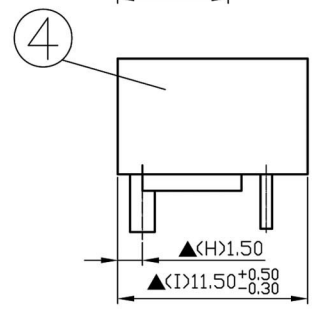
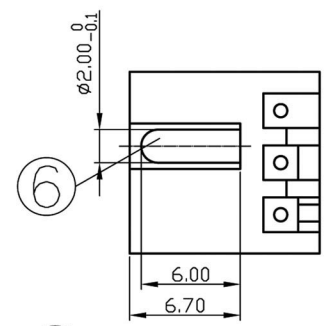
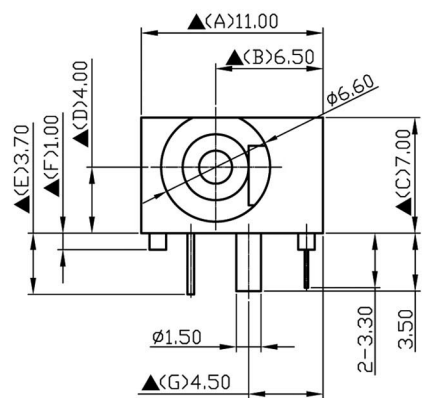


1 2 3 4 5 6 7 8

A
B
C
D
E
F
G
H

A
B
C
D
E
F
G
H

SCHEMATIC	
MODEL NO	C



Pin Hole Layout
(Jack Bottom View)

SPECIFICATIONS:
 Contact Resistance : 30mΩ max
 Current Rating : Max 5.0A , 24V DC
 Insulation Resistance : 100MΩ min. at DC 500V
 Dielectric Withstanding Voltage: AC 500V for one minute
 Remark: ▲ : The Most Important Dimension

6.	Pin(2.0φ)	Copper	1	Nickel Plated
5.	Cover	PBT+15%	1	Black Color
4.	Housing	PBT+30%	1	Black Color
3.	Break Terminal	0.4T Brass	1	Silver Plated
2.	Sleeve Spring	0.2T YcuT	1	Silver Plated
1.	Pin Terminal	0.4T Brass	1	Silver Plated
NO.	Description	Material	Q' TY	Finish

RoHS Compliant	HSM 玄茂科技股份有限公司 HSUAN MAO TECHNOLOGY CO., LTD.	
	APPD. 核准 DWG. 製圖 Hedy DATE 制表日 2023/05/10	TOLERANCE 容許公差 .0 ± .00 ±0.3mm ANG. ± UNIT 單位 MM PAGE 張數 1 / 1

1 2 3 4 5 6 7 8