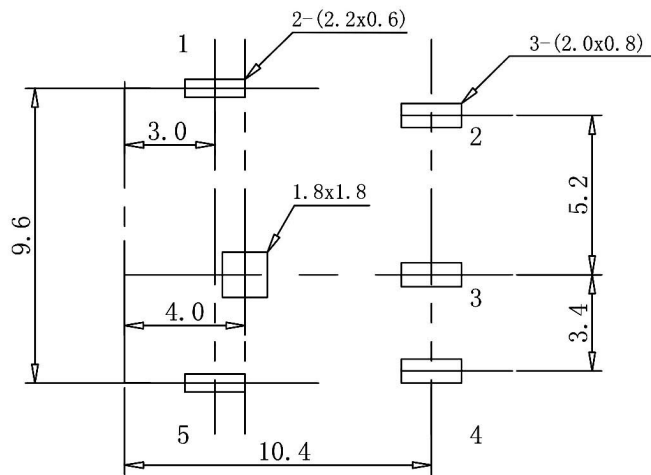
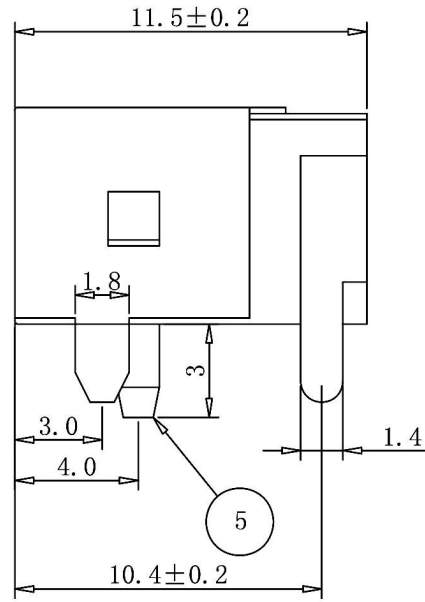
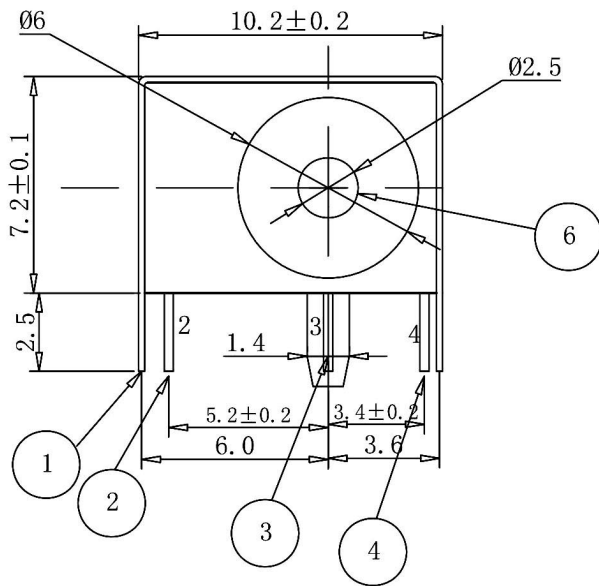


1 2 3 4 5 6 7 8

A
B
C
D
E
F
G
H

A
B
C
D
E
F
G
H

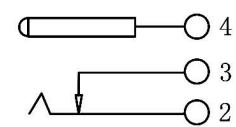


P.C.B. LAYOUT

Specification

- 1. Rated : DC 12V, 1A
- 2. Contact resistance : $\leq 30m\Omega$
- 3. Insulation resistance : $\geq 100M\Omega$
- 4. Voltage resistance : AC500V(50-60HZ) 1min
- 5. Insertion Withdrawal force : 3-20N
- 6. Durability (Life Test) : 5,000 Cycles

SCHEMATIC



6	PIN	1	H59 BRASS	NI
5	HOUSING	1	PBT	BLACK
4	CONTACT FOOT	1	H62 BRASS T=0.4t	SILVER
3	CURVE PIECE	1	H62 BRASS T=0.4t	SILVER
2	SPRING PIECE	1	Qsn6.5-0.1T=0.3t	SILVER
1	COAT FOOT	1	H62 BRASS T=0.2t	NI
NO.	NAME	Q'TY	MATERIAL	FINISH

<p>RoHS Compliant</p>		<p>HSM 玄茂科技股份有限公司 HSUAN MAO TECHNOLOGY CO., LTD.</p>	
<p>APPD. 核准</p>	<p>SCALE 比例 参考</p>	<p>TOLERANCE 容許公差</p> <p>.0 ± 0.30</p> <p>.00 ± 0.20</p> <p>ANG. ± 3°</p>	<p>PART NAME 品名</p> <p>DC POWER JACK RIGHT ANGLE TYPE</p> <p>PIN OD:2.5mm NORMAL CLOSE</p> <p>NICKEL PLATED BLACK COLOR</p> <p>BAG PACKING ROHS</p>
<p>DWG. 製圖</p> <p>Betty</p>	<p>UNIT 單位</p> <p>M M</p>	<p>SIZE. 紙張尺寸</p> <p>A 4</p>	<p>PART NO.</p> <p>C9747-DCNBG000R</p>
<p>DATE 製表日</p> <p>2019/10/15</p>	<p>PAGE 張數</p> <p>1 OF 1</p>	<p>REV. 版次</p> <p>A</p>	<p>料號</p> <p>C9747-DCNBG000R</p>

1 2 3 4 5 6 7 8