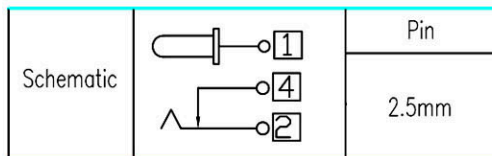
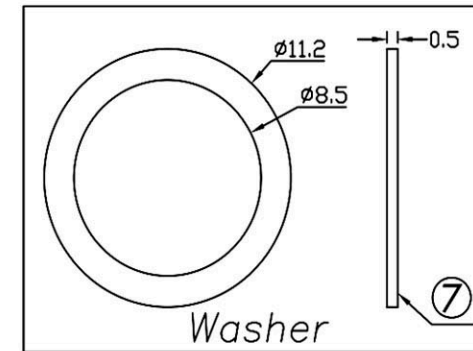
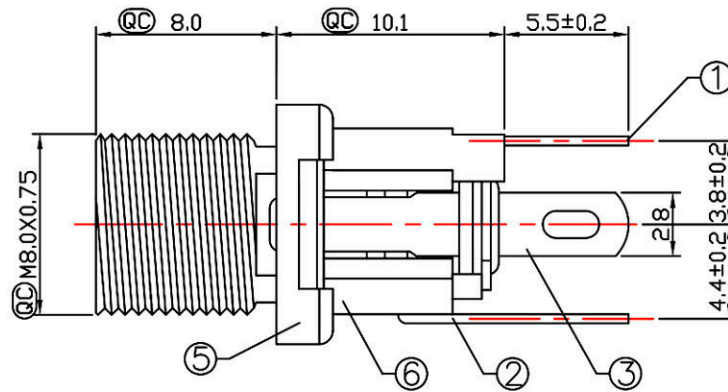
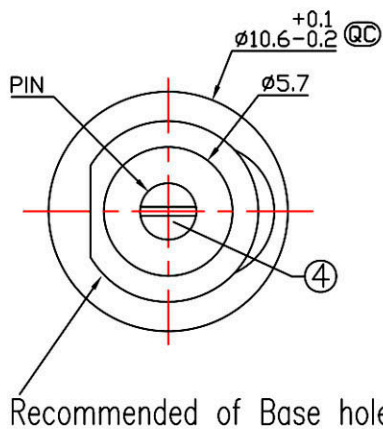


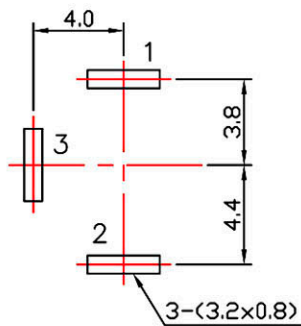
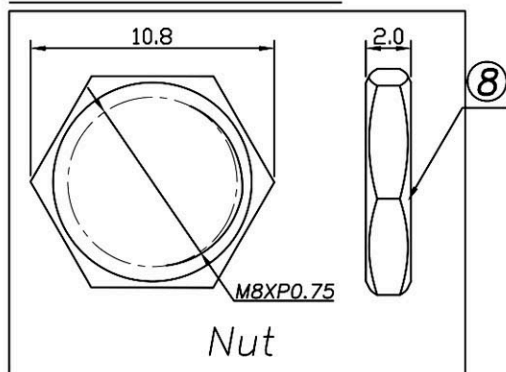
1 2 3 4 5 6 7 8

A
B
C
D
E
F
G
H



SPECIFICATION

1. Rating : DC 30V, 0.5A ;
2. Contact resistance: ≤0.03Ω ;
3. Insulation resistance: ≥100MΩ (DC250V);
4. Withstand voltage: 500VAC ;
5. Insertion and extraction force: 3-30;
6. life test: 5,000 cycles.



T:1.6 Dimensions of PC board holes
Tolerance : ±0.1(Printed-top view)

NO	DESCRIPTION	QTY	MATERIAL	REMARK
8	COVER NUT	1	H59	MB:Cu Ni PLATED
7	Washer	1	SPCC	Ni PLATED
6	HOUSING	1	PBT 4815	UL-94V0(BLACK)
5	AXIS SUPPORT	1	H59	MB:Cu Ni PLATED
4	PIN	1	H65	MB:Cu Ni PLATED
3	SPRING	1	C5191	MB:Cu Ag PLATED
2	CURVE PIECE	1	H65	MB:Cu Ag PLATED
1	FLAT PIECE	1	H65	MB:Cu Ag PLATED

RoHS Compliant

HSM 玄茂科技股份有限公司
HSUAN MAO TECHNOLOGY CO., LTD.

APPD. 核准 Betty		TOLERANCE 容許公差	PART NAME 品名 DC POWER JACK SOLDER TYPE Φ2.5mm NORMAL CLOSE TYPE NICKEL PLATING WITH THREAD (Thread length 8.0mm) BLACK INSULATOR W/ASSY. (NUT+WASHER) ROHS
DWG. 製圖 Lena		SCALE 比例 參考	
DATE 制表日 2020/9/23	UNIT 單位 MM	SIZE 紙張尺寸 A4	PART NO. C9748-DCSYNB00R 料號
	PAGE 張數 1 OF 1	REV. 版本 A	

1 2 3 4 5 6 7 8