

**MATERIAL :**

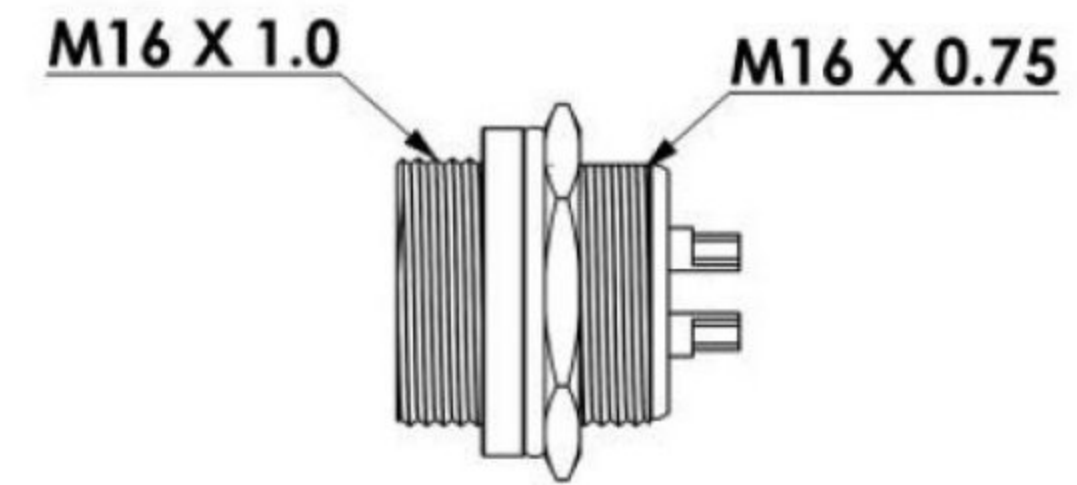
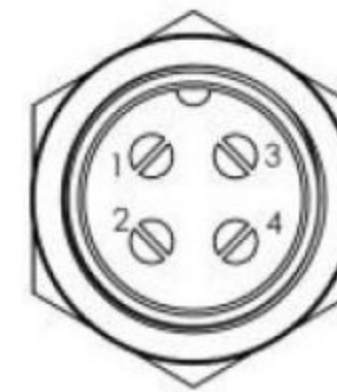
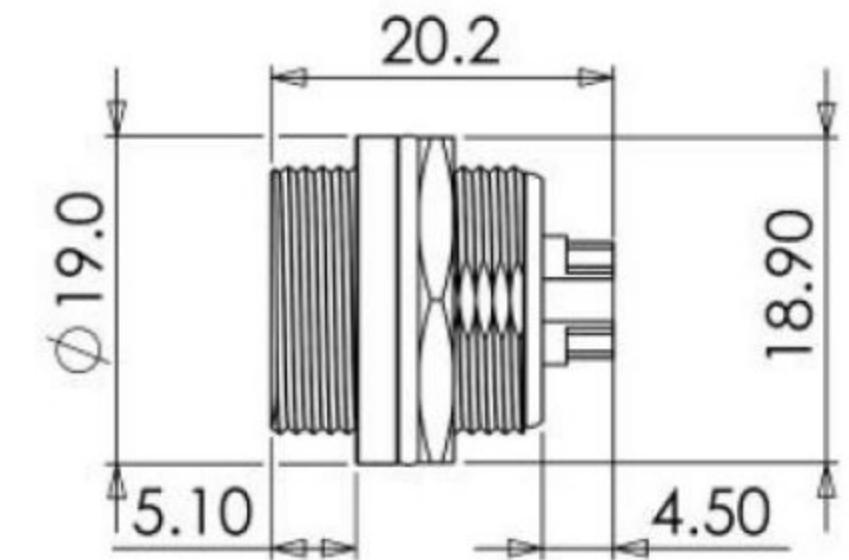
1. SHIELD COVER : Zn ALLOY NICKEL PTD.
2. SCREW NUT: BRASS NICKEL PTD.
3. HOUSING : BAKELITE
4. TERMINALS : BRASS NICKEL PTD.
5. WASHER: BRASS NICKEL PTD.

**SPECIFICATION :**

**Contact resistance:**  
300 m Ω max.

**Insulation resistance:**  
100 MΩ 250V DC

**Withstanding voltage:**  
1 min at 250V AC



C9910-02MM0000R	C9910-03MM0000R	C9910-04MM0000R	C9910-05MM0000R	C9910-06MM0000R	C9910-07MM0000R	C9910-08MM0000R

RoHS Compliant		<b>HSM</b> 玄茂科技股份有限公司 HSUAN MAO TECHNOLOGY CO., LTD.	
APPD. 核准	SCALE 比例 参考	TOLERANCE 容許公差 .0 ± 0.25 .00 ± ANG. ±	PART NAME 品名 MIC MALE CONNECTOR XP ZINC ALLOY SHELL NICKEL PLATING W/ WASHER & NUT ROHS
DWG. HELEN	UNIT 單位 MM	SIZE 紙張尺寸 A4	PART NO. 料號 C9910-XXMM0000R
DATE 制表日 2010/10/26	PAGE 張數 1 OF 1	REV. 版本 A	