

1

2

3

4

5

6

7

8

A

B

C

D

E

F

G

H

A

B

C

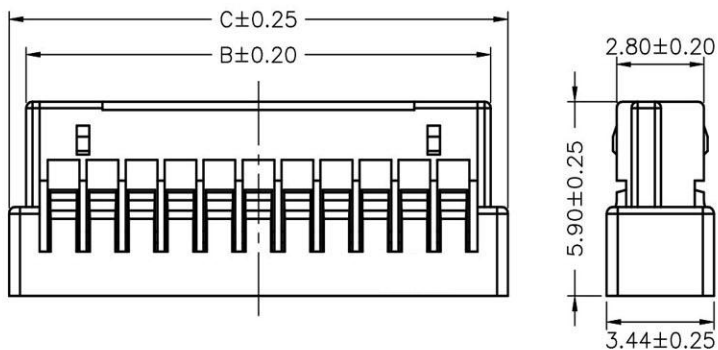
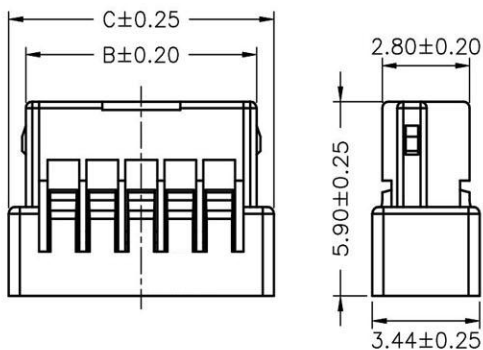
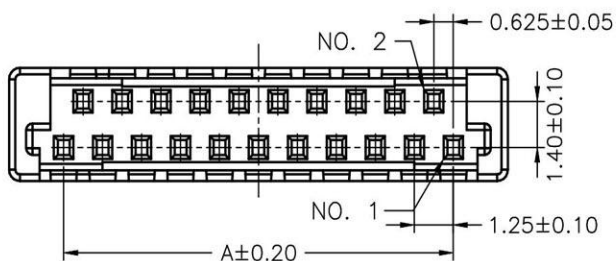
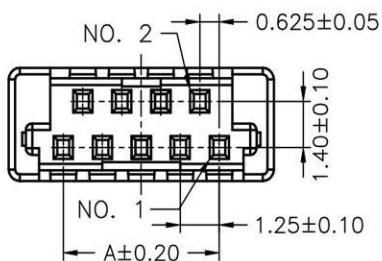
D

E

F

G

H



5,7,9,11 Contacts

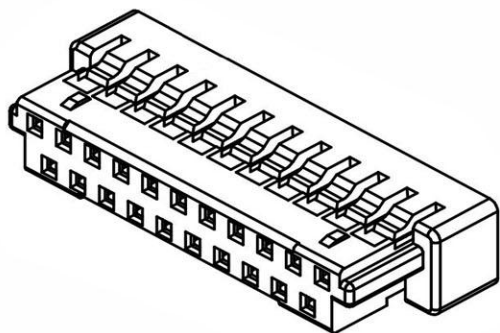
13,15,17,19,21,31,41 Contacts

SPECIFICATIONS

Current Rating: 1A AC,DC
 Voltage Rating: 200V AC,DC
 Temperature Range: $-25^{\circ}\text{C} \sim +85^{\circ}\text{C}$
 Contact Resistance: 40m Ω Max.
 Insulation Resistance: 100M Ω Min.
 Withstanding Voltage: 500V AC/minute
 Material: Nylon 66,UL94V-0
 Color: Black

Ordering Information & Dimensions

PART NO.	Dimensions		
	A	B	C
05P	2.50	4.90	6.00
07P	3.75	6.15	7.25
09P	5.00	7.40	8.50
11P	6.25	8.65	9.75
13P	7.50	9.90	11.00
15P	8.75	11.15	12.25
17P	10.00	12.40	13.50
19P	11.25	13.65	14.75
21P	12.50	14.90	16.00
31P	18.75	21.15	22.25
41P	25.00	27.40	28.50



RoHS Compliant		HSM 玄茂科技股份有限公司 HSUAN MAO TECHNOLOGY CO., LTD.	
APPD. 核准	SCALE 比例	TOLERANCE 容許公差	PART NAME 品名
DWG. 製圖	UNIT 單位	SIZE. 紙張尺寸	1.25mm HOUSING XXPIN DUAL ROW BLACK COLOR ROHS
DATE 制表日	PAGE 張數	REV. 版本	PART NO. 料號
2012/11/19	1 OF 1	B	H1260-XXPB0000R

1

2

3

4

5

6

7

8