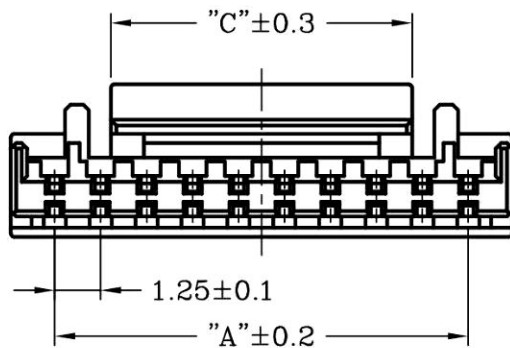


1 2 3 4 5 6 7 8

A

A

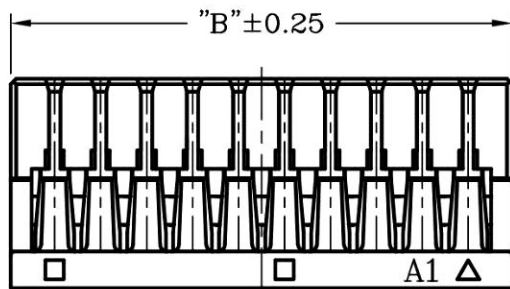


B

B

C

C



D

D

E

E

Poles	DIM.A	DIM.B	DIM.C
2P	1.25	3.65	1.90
3P	2.50	4.90	3.10
4P	3.75	6.15	4.25
5P	5.00	7.40	4.25
6P	6.25	8.65	6.25
7P	7.50	9.90	6.25
8P	8.75	11.15	6.25
9P	10.00	12.40	6.25
10P	11.25	13.65	8.20
11P	12.50	14.90	8.20
12P	13.75	16.15	8.20
13P	15.00	17.40	8.20
14P	16.25	18.65	8.20
15P	17.50	19.90	8.20

■ SPECIFICATIONS

- ◆ Applicable Wire: AWG.#26~#30
- ◆ Rated voltage: 50V DC/AC(rms)
- ◆ Rated Current: 1A (AWG.#26)
- ◆ Withstand voltage: 100V AC/min.
- ◆ Working Temp : -25°C ~ +85°C
- ◆ Insulation resistance: ≥100 MΩ
- ◆ Contact resistance: ≤30 mΩ

■ MATERIAL

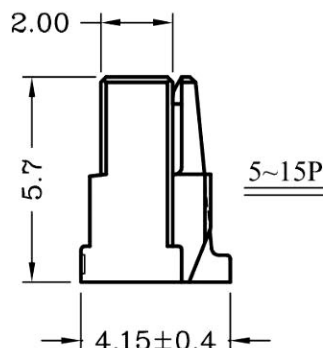
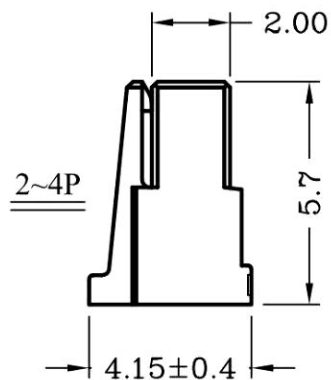
- ◆ Housing: PA66, UL94-V2

F

F

G

G



H

H

RoHS Compliant		HSM 玄茂科技股份有限公司 HSUAN MAO TECHNOLOGY CO., LTD.	
APPD. 核准 BETTY	SCALE 比例 参考	TOLERANCE XX±0.40 X±0.30 X±0.25 XX±0.15	PART NAME 品名 JST GH1.25mm 1*XXP HOUSING WHITE COLOR NYLON66 UL94V-2 ROHS
DWG. 製圖 KAREN	UNIT 單位 MM	SIZE 紙張尺寸 A4	PART NO. 料號 H1261-XXPW0000R
DATE 制表日 2014/07/01	PAGE 張數 1 OF 1	REV. 版本 A	

1 2 3 4 5 6 7 8