

### Features:

- 2 ~ 8 circuits available
- Material: Nylon 9T, UL 94V-0

### Specification:

- Ambient temperature range: -40°C ~ 105°C

### Dimensional Information ( mm )

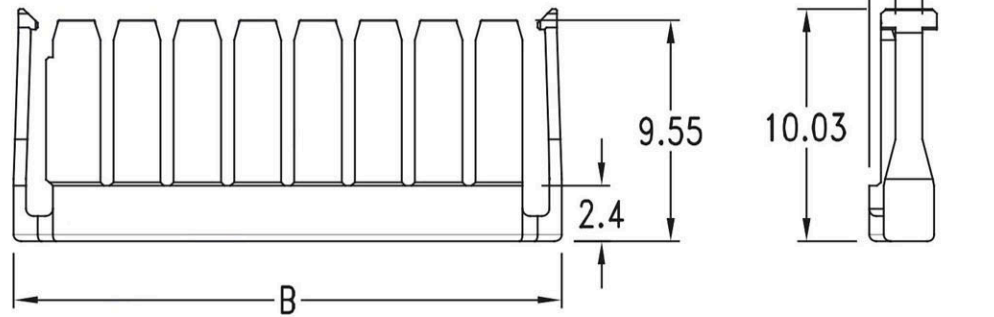
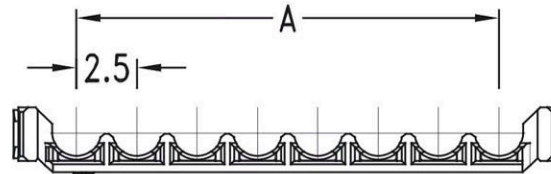
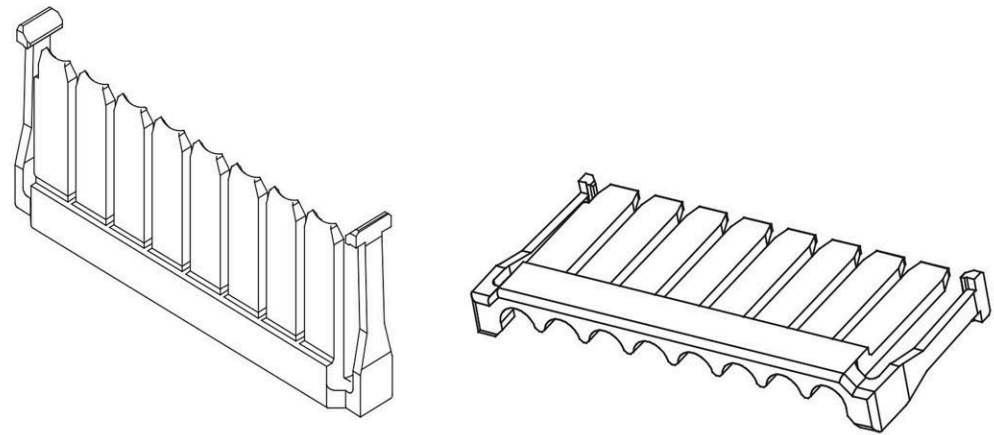
Circuits	Dim. A	Dim. B
N	$2.5 \times ( N - 1 )$	$2.5 \times N + 2.7$

&& N = 2 ~ 8

### Ordering Information

Part No.	Color
H2531-XXCBBG00R	Black
H2531-XXCBCG00R	Natural

&& xx = 02 ~ 08



<b>RoHS Compliant</b>		<b>HSM 玄茂科技股份有限公司</b> <b>HSUAN MAO TECHNOLOGY CO., LTD.</b>	
APPD. 核准		TOLERANCE 容許公差 0 ± 0.40 .00 ± 0.25 ANG. ± 3°	PART NAME 品名 Nano-Fit 2.5mm 1X??Pin TPA Retainer (Terminal Position Assurance Retainer) Material: Nylon 9T ROHS
DWG. 製圖 <i>Helen</i>	SCALE 比例 參考	UNIT 單位 MM	SIZE. 紙張尺寸 A 4
DATE 制表日 2019/9/27	PAGE 張數 1 OF 1	REV. 版本 A	PART NO. 料號 H2531-XXCBXG00R