

1 2 3 4 5 6 7 8

A

A

B

B

C

C

D

D

E

E

F

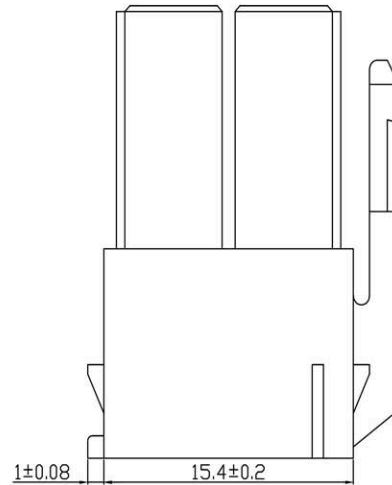
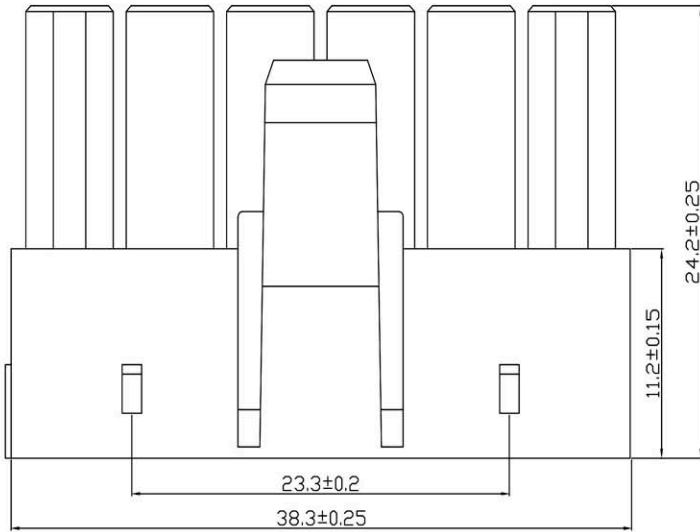
F

G

G

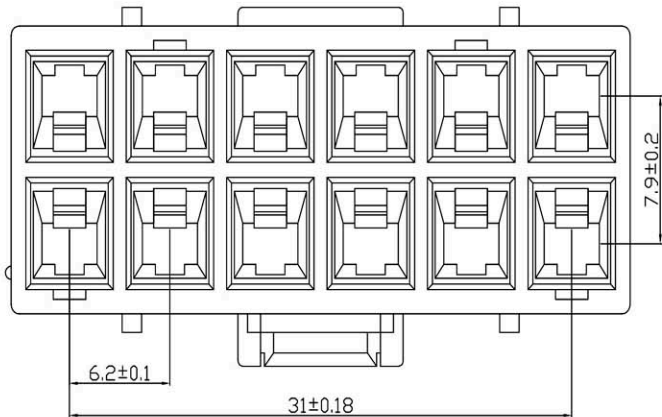
H

H



Specification:

- 1、Material: Rubber shell:PA66 UL94V-0
- 2、Current rating: 20A max
- 3、Voltage rating: 300V AC/DC
- 4、Temperature range:-25°C to +85°C
- 5、Contact resistance:  $\leq 10m\Omega$
- 6、Insulation resistance:  $\geq 1000M\Omega$
- 7、Withstand voltage: 2000V AC/minute
- 8、Fixing force of pins:  $\geq 25N$
- 9、Applicable PC board thickness: 1.6mm



RoHS Compliant		<b>HSM</b> 玄茂科技股份有限公司 HSUAN MAO TECHNOLOGY CO., LTD.	
APPD. 核准	 TOLERANCE 零件公差	PART NAME 品名 6.2MM MALE HOUSING DUAL ROW 2X6PIN WITH LOCKING RIBS WHITE COLOR MATERIAL: NYLON66 UL94V-0 ROHS	
DWG. 製圖 <i>Helen</i>	SCALE 比例 參考	SIZE. 紙張尺寸 A4	PART NO. 料號 H6211-12PDYW10R
DATE 制表日 2022/5/20	UNIT 單位 MM	REV. 版本 A	
PAGE 張數 1 OF 1			

1 2 3 4 5 6 7 8