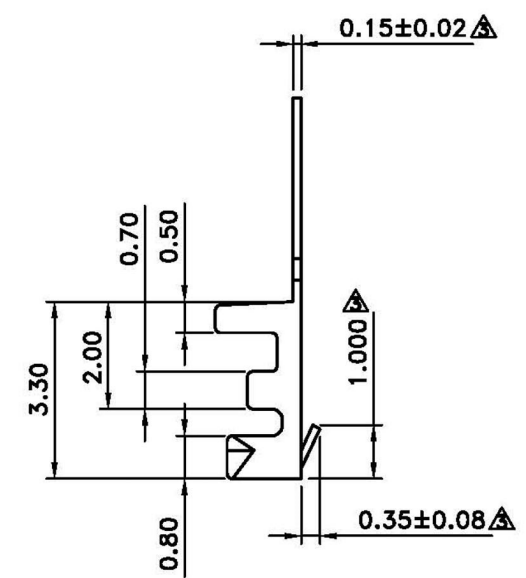
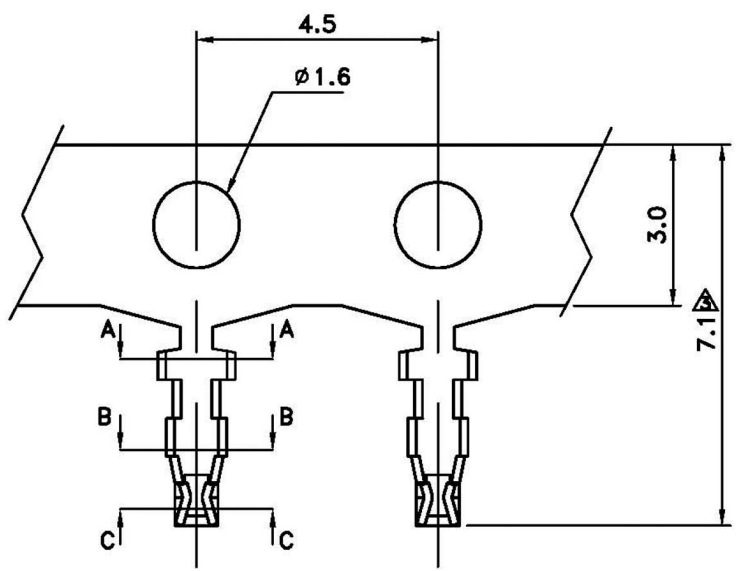


1 2 3 4 5 6 7 8

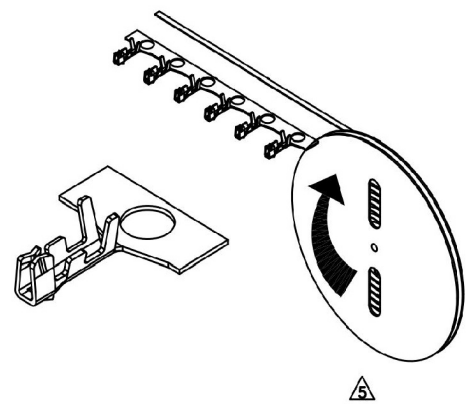
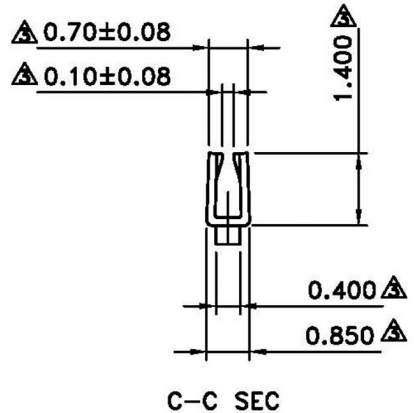
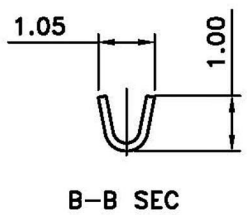
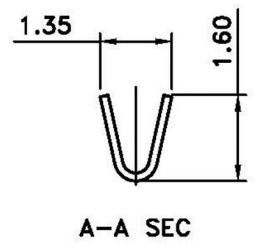
A
B
C
D
E
F
G
H

A
B
C
D
E
F
G
H



- ▲ SPECIFICATIONS**
- Current Rating : 1A (Max) AC/DC
 - Voltage Rating : 250V AC/DC
 - Withstanding Voltage : 125V AC /minute
 - Insulation Resistance : 100MΩ min
 - Temperature Range : - 40°C to + 85°C
 - Contact Resistance : 20mΩ max

- TERMINAL**
- Applicable Wires : AWG# 28 - 32
 - Material : Phos. Bronze
 - Finish : Tin Plated
 - Thickness : 0.15mm
 - Q' ty : 15,000 Pcs./Reel



RoHS Compliant		HSM 玄茂科技股份有限公司 HSUAN MAO TECHNOLOGY CO., LTD.	
APPD. 核准 Yumi	SCALE 比例 参考	TOLERANCE 容許公差 .0 ±0.3 .00 ±0.2 .000 ±0.1	PART NAME 品名 1.25mm TERMINAL PHOSPHOR BRONZE MATERIAL TIN PLATING SUITABLE AWG28~32 1R=15K PCS ROHS LOW-LEAD
DWG. 製圖 Helen		UNIT 單位 M M	SIZE. 紙張尺寸 A 4
DATE 制表日 2020/7/28	PAGE 張數 1 OF 1	REV. 版次 B	PART NO. 料號 T1259-TPP00000R

1 2 3 4 5 6 7 8