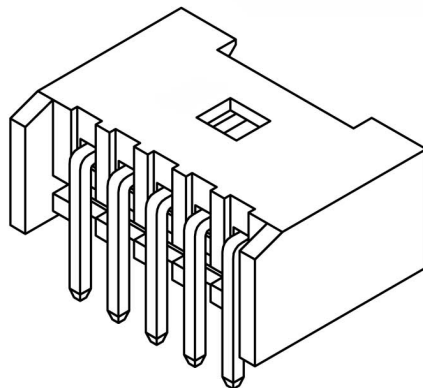
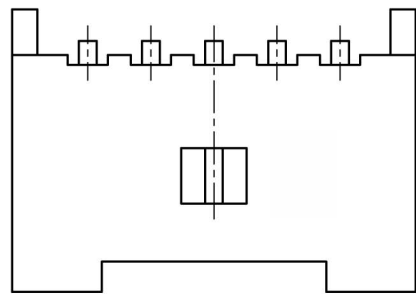


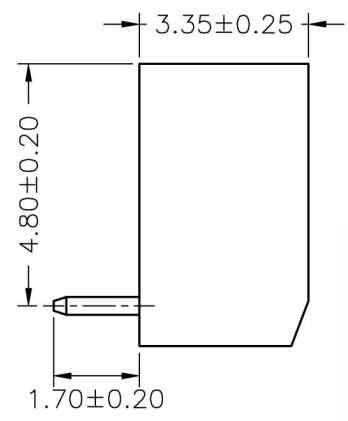
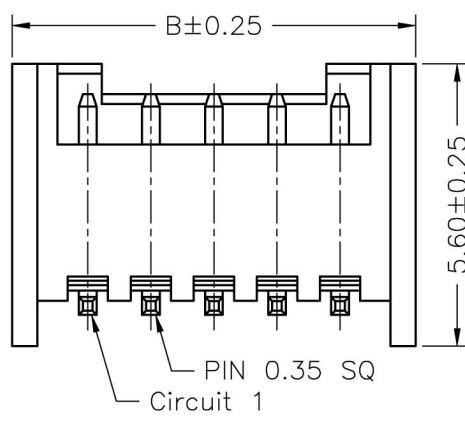
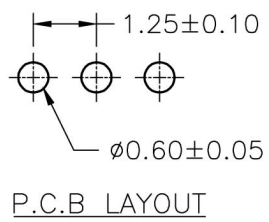
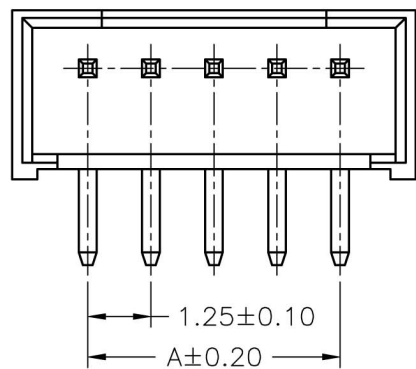
1 2 3 4 5 6 7 8

A
B
C
D
E
F
G
H

A
B
C
D
E
F
G
H



SPECIFICATIONS
 Current Rating: 1A AC,DC
 Voltage Rating: 200V AC,DC
 Temperature Range: -25°C ~ +85°C
 Contact Resistance: 20mΩ Max.
 Insulation Resistance: 100MΩ Min.
 Withstanding Voltage: 500V AC/minute
 Pin Material: Brass/Tin-plated
 Material: Nylon 66,UL94V-0
 Pantone Color: 472C



Ordering Information & Dimensions

PART NO.	Dimensions	
	A	B
2P	1.25	4.25
3P	2.50	5.50
4P	3.75	6.75
5P	5.00	8.00
6P	6.25	9.25
7P	7.50	10.50
8P	8.75	11.75
9P	10.00	13.00
10P	11.25	14.25
11P	12.50	15.50
12P	13.75	16.75
13P	15.00	18.00
14P	16.25	19.25
15P	17.50	20.50

RoHS Compliant		HSM 玄茂科技股份有限公司 HSUAN MAO TECHNOLOGY CO., LTD.	
APPD. 核准 Betty	SCALE 比例 参考	TOLERANCE 容許公差 X. X±0.25 X. XX±0.15 X. XXX±0.05	PART NAME 品名 1.25mm WAFER RIGHT TYPE TIN PLATING BROWN COLOR NYLON66 UL94V-0 ROHS LOW-LEAD
DWG. 製圖 Jolin	UNIT 單位 M M	SIZE 紙張尺寸 A 4	PART NO. 料號 W1251-XXPRTN00R
DATE 制表日 2006/12/19	PAGE 張數 1 OF 1	REV. 版次 A	

1 2 3 4 5 6 7 8