

1 2 3 4 5 6 7 8

A

B

C

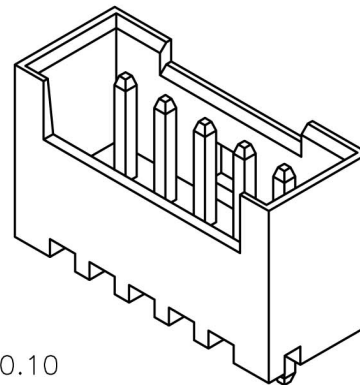
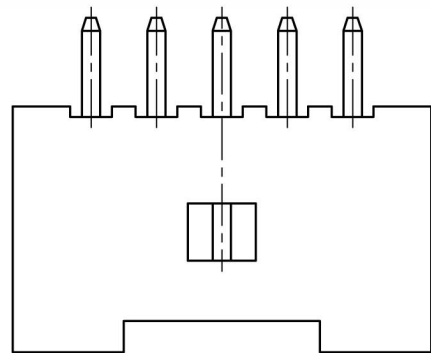
D

E

F

G

H

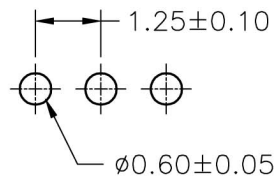


SPECIFICATIONS

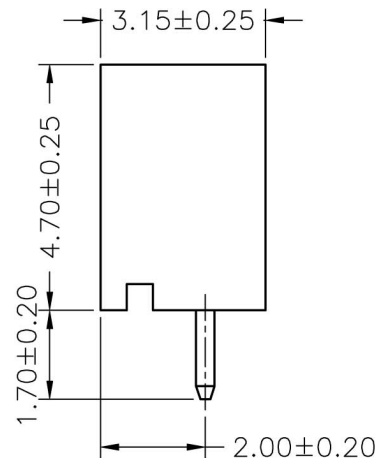
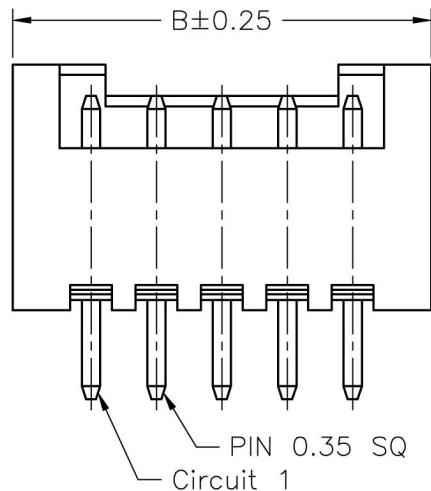
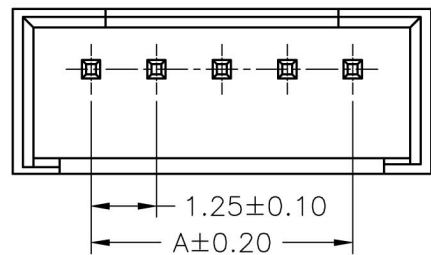
Current Rating: 1A AC,DC
 Voltage Rating: 200V AC,DC
 Temperature Range: -25°C ~ +85°C
 Contact Resistance: 20mΩ Max.
 Insulation Resistance: 100MΩ Min.
 Withstanding Voltage: 500V AC/minute
 Pin Material: Brass/Tin-plated
 Material: Nylon 66,UL94V-0
 Pantone Color: 472C

Ordering Information & Dimensions

PART NO.	Dimensions	
	A	B
2P	1.25	4.25
3P	2.50	5.50
4P	3.75	6.75
5P	5.00	8.00
6P	6.25	9.25
7P	7.50	10.50
8P	8.75	11.75
9P	10.00	13.00
10P	11.25	14.25
11P	12.50	15.50
12P	13.75	16.75
13P	15.00	18.00
14P	16.25	19.25
15P	17.50	20.50



P.C.B LAYOUT



RoHS
Compliant

HSM 玄茂科技股份有限公司
HSUAN MAO TECHNOLOGY CO., LTD.

APPD. 核准 **Betty**
 DWG. 製圖 **Jolin**
 DATE 制表日 **2006/12/20**

SCALE 比例 參考
 UNIT 單位 M M
 PAGE 張數 1 OF 1

TOLERANCE 容許公差
 X. X±0.25
 X. XX±0.15
 X. XXX±0.05
 SIZE 紙張尺寸 A 4
 REV. 版次 A
 PART NAME 品名
1.25mm WAFER STRAIGHT TYPE
TIN PLATING BROWN COLOR
NYLON66 UL94V-0 ROHS LOW-LEAD
 PART NO. 料號 **W1251-XXPSTN00R**

1 2 3 4 5 6 7 8