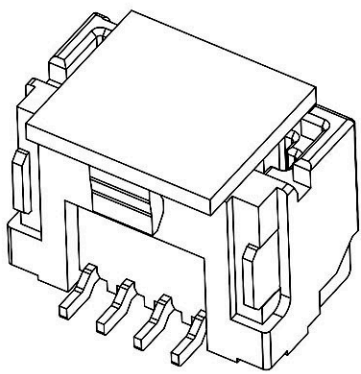
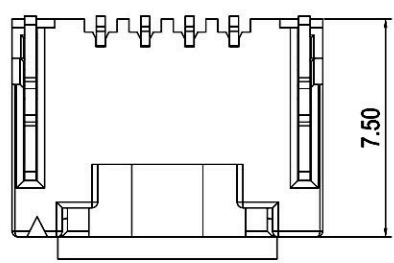


1 2 3 4 5 6 7 8

A
B
C
D
E
F
G
H

A
B
C
D
E
F
G
H

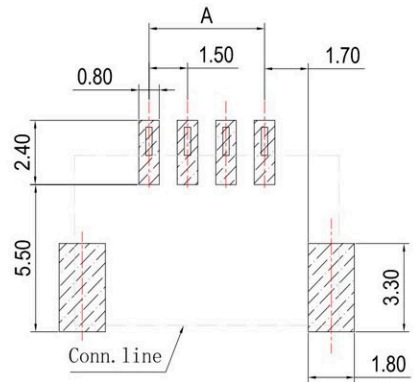
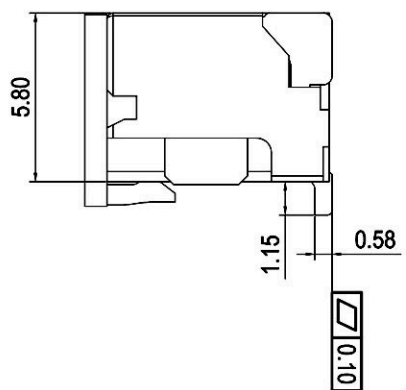
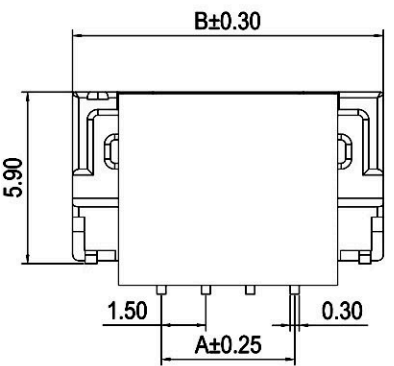


SPECIFICATION

- Voltage rating: 100V AC, DC
- Current Rating: 2A, AC, DC
- Withstand voltage: 500V AC/minute
- Contact resistance: 40mΩ max
- Insulation resistance: 500MΩ min
- Temperature range: -25° C ~ +85° C

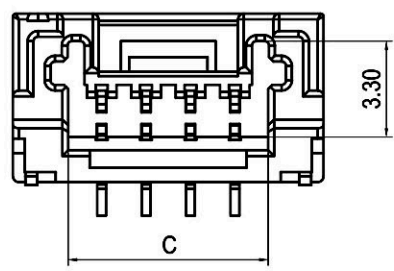
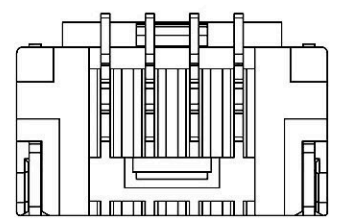
WAFER

- Material: PA9T UL94V-0
- Contact area, Brass Tin-plated
- Pin: Phosphor Bronze



CKL	DimA	DimB	DimC
02	1.5	7.50	3.75
03	3.0	9.00	5.25
04	4.5	10.50	6.75
05	6.0	12.00	8.25
06	7.5	13.50	9.75
07	9.0	15.00	11.25
08	10.5	16.50	12.75
09	12.0	18.00	14.25
10	13.5	19.50	15.75
11	15.0	21.00	17.25
12	16.5	22.50	18.75
13	18.0	24.00	20.25
14	19.5	25.50	21.75
15	21.0	27.00	23.25
16	22.5	28.50	24.75

Recommended P. C. B Layout
General Tolerance ±0.05



<p>RoHS Compliant</p>		<p>HSM 玄茂科技股份有限公司 HSUAN MAO TECHNOLOGY CO., LTD.</p>	
<p>APPD. 核准</p>		<p>TOLERANCE 容許公差</p> <p>0 ± 0.35</p> <p>.00 ± 0.25</p> <p>ANG. ± 5°</p>	<p>PART NAME 品名</p> <p>1.50mm WAFER SMT 180° TYPE 1X??PIN TIN PLATING</p>
<p>DWG. 製圖</p> <p>Helen</p>	<p>SCALE 比例</p> <p>參考</p>	<p>UNIT 單位</p> <p>MM</p>	<p>MATERIAL: PA9T UL94V-0 WHITE COLOR</p> <p>PAD+REEL PACKING ROHS</p>
<p>DATE 制表日</p> <p>2021/12/24</p>	<p>PAGE 張數</p> <p>1 OF 1</p>	<p>REV. 版本</p> <p>A</p>	<p>PART NO. 料號</p> <p>W1503-XXPABTQWR</p>

1 2 3 4 5 6 7 8