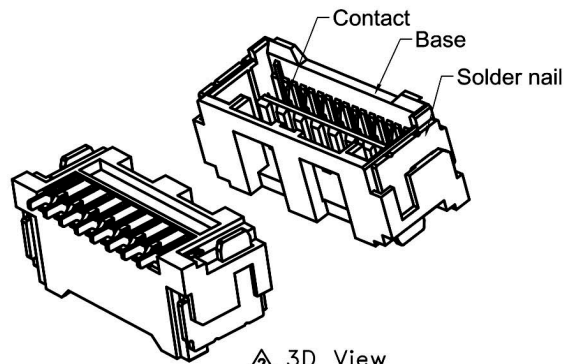


Recommended PCB Layout
General Tolerance ± 0.05



3D View

SPECIFICATIONS

- Current Rating : 2A AC/DC
- Voltage Rating : 100V AC/DC
- Withstanding Voltage : 500V AC/minute
- Insulation Resistance : 500M Ω min.
- Temperature Range : -40 $^{\circ}$ C to +85 $^{\circ}$ C
- Contact Resistance : 20m Ω max.

Wafer

Material : 1. Contact : Phos. Bronze
 2. Base : PA6T UL 94V-0 Tin Plated
 3. Solder nail : Brass
 ·Qt'y : 700 Pcs / Reel

Poles	Dimension(mm)		Poles	Dimension(mm)	
	A	B		A	B
2	1.50	7.30	9	12.00	17.80
3	3.00	8.80	10	13.50	19.30
4	4.50	10.30	11	15.00	20.80
5	6.00	11.80	12	16.50	22.30
6	7.50	13.30	13	18.00	23.80
7	9.00	14.80	14	19.50	25.30
8	10.50	16.30	15	21.00	26.80

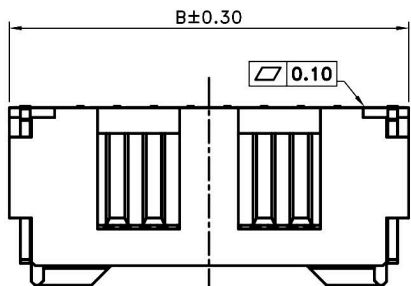


Figure of 6~15 Circuit

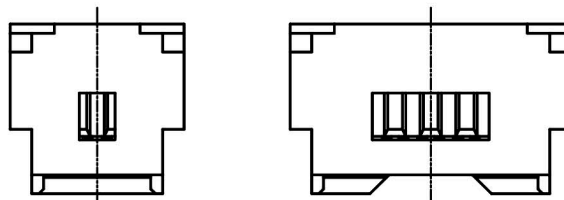
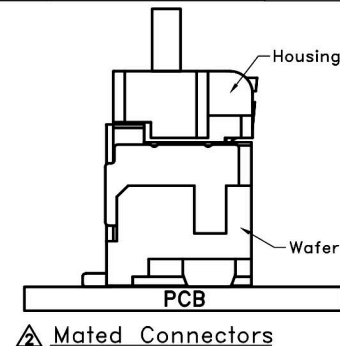
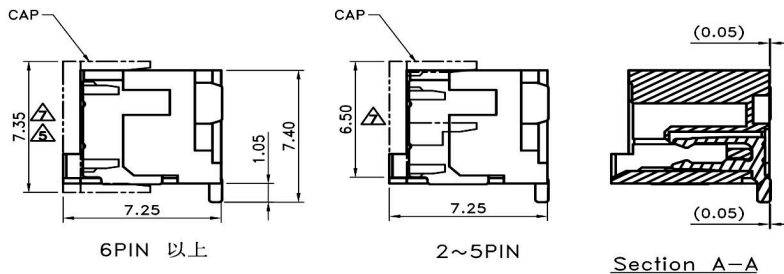
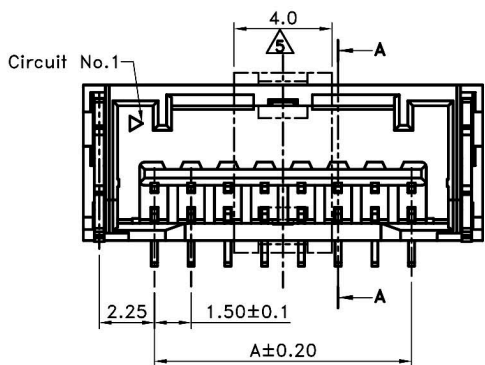


Figure of 2~5 Circuit



Mated Connectors



RoHS Compliant		HSM 玄茂科技股份有限公司 HSUAN MAO TECHNOLOGY CO., LTD.	
APPD. 核准	SCALE 比例 参考	TOLERANCE .0 ±0.30 .00 ±0.20 .000 ±0.10	PART NAME 品名 1.5MM WAFER 1XXXPIN SMT STRAIGHT TYPE TIN PLATING MATERIAL:PA6T UL94V-0 BEIGE COLOR PAD+REEL PACKING ROHS
DWG. 製圖 Betty	UNIT 單位 M M	ANGLE 0° ±1°	PART NO. 料號 W1504-XXPATL CQR
DATE 制表日 2022/12/27	PAGE 張數 1 OF 1	SIZE. 紙張尺寸 A 4	
		REV. 版次 A	