

1 2 3 4 5 6 7 8

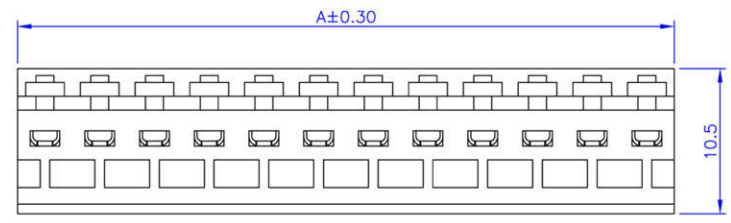
A

A

Pos.	A
06	23.76
12	47.52

B

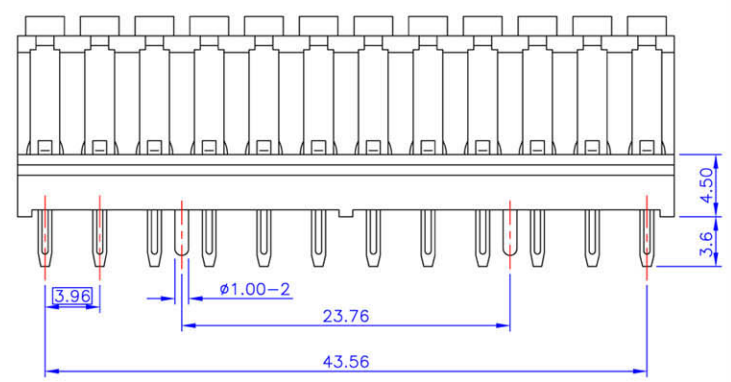
B



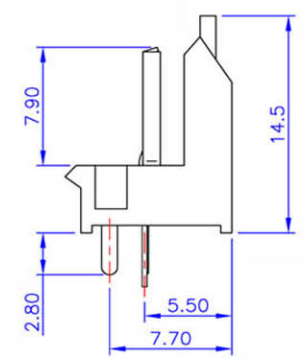
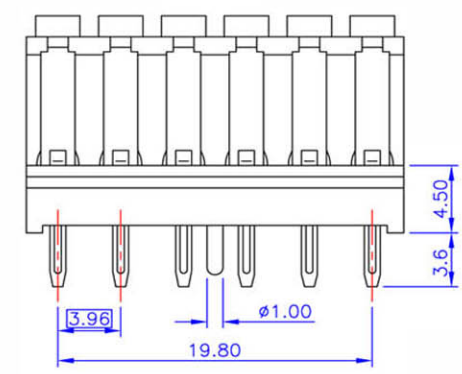
C

C

12 Pin



6 Pin



D

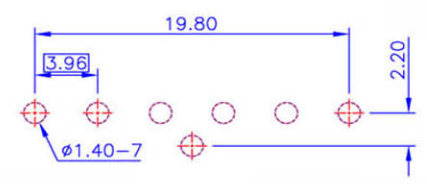
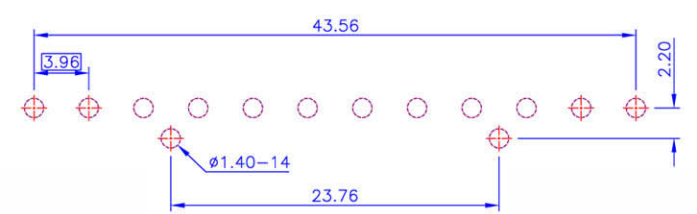
D

E

E

F

F



PCB Layout
(Top View)

G

G

RoHS
Compliant

HSM 玄茂科技股份有限公司
HSUAN MAO TECHNOLOGY CO., LTD.

Material and Finish	Electrical Characteristics	Mechanical Characteristics
1. Housing: Nylon 66 (UL94V-2), White. 2. Terminal: Copper Alloy (±0.20mm), Tin Plating.	1. Current Rating: 5.0 Amp. Max. 2. Dielectric Withstand Voltage: 1000V AC RMS for One Minute. 3. Insulation Resistance: 1000M Ohms Min. at 1000V DC.	1. Operating Temperature: -20°C ~ +85°C

APPD. 核准	HELEN	SCALE 比例 参考	TOLERANCE 容許公差 0.00 ± 0.30 ANG. ±
DWG. 製圖			
DATE 制表日	2009/4/27	UNIT 單位	SIZE 紙張尺寸
		M M	A 4
		PAGE 張數	REV. 版本
		1 OF 1	A

PART NAME 品名	3.96mm POWER PLUG XXP STRAIGHT TYPE WITH PEGS WHITE INSULATOR LOW-LEAD
PART NO. 料號	W2460-XXPSYTWOR

1 2 3 4 5 6 7 8

H

H