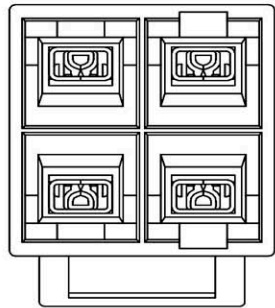
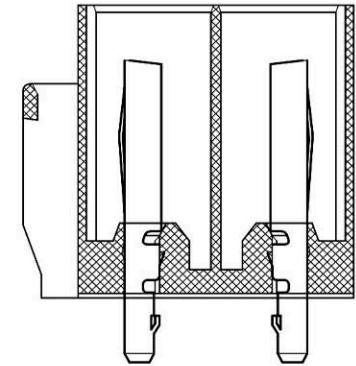
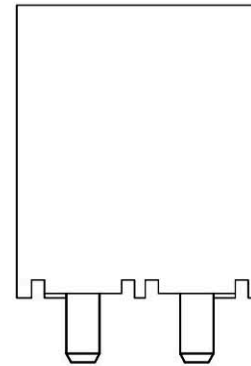
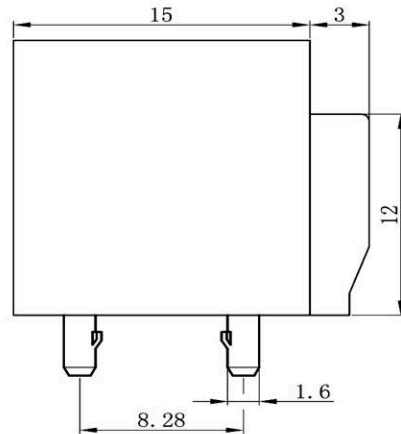
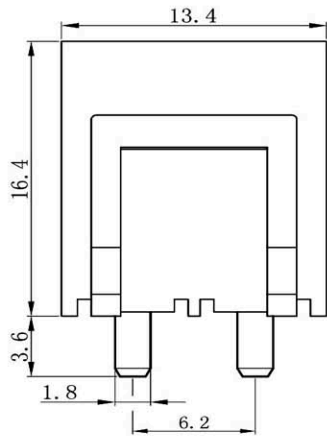
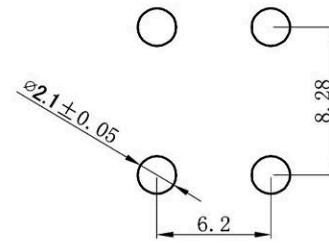


MOUNTING MEASUREMENT



1、Material: rubber shell: PA66 UL94V-2 PIN: H65 (Plating: SnSb)

Material: Phosphor Bronze (QSn6.5-0.1/C5191)

- 2、Current rating: 20A max
- 3、Voltage rating: 300V AC/DC
- 4、Temperature range: -25°C to +85°C
- 5、Contact resistance: $\leq 10\text{m}\Omega$
- 6、Insulation resistance: $\geq 1000\text{M}\Omega$
- 7、Withstand voltage: 2000V AC/minute
- 8、Fixing force of pins: $\geq 25\text{N}$
- 9、Applicable PC board thickness: 1.6mm

RoHS Compliant		HSM 玄茂科技股份有限公司 HSUAN MAO TECHNOLOGY CO., LTD.	
APPD. 核准		TOLERANCE 容許公差 0 ± 0.4 .00 ± 0.35 ANG. ± 5°	PART NAME 品名 6.2MM WAFER STRAIGHT TYPE DUAL ROW 2X2PIN W/ LOCKING RIBS TIN PLATING WHITE COLOR NY66 UL94V-2 BAG PACKING ROHS
DWG. 製圖 <i>Helen</i>	SCALE 比例 參考	UNIT 單位 MM	PART NO. 料號 W6211-04PDSTW0GR
DATE 制表日 2022/5/20	PAGE 張數 1 OF 1	SIZE 紙張尺寸 A4	REV. 版本 A