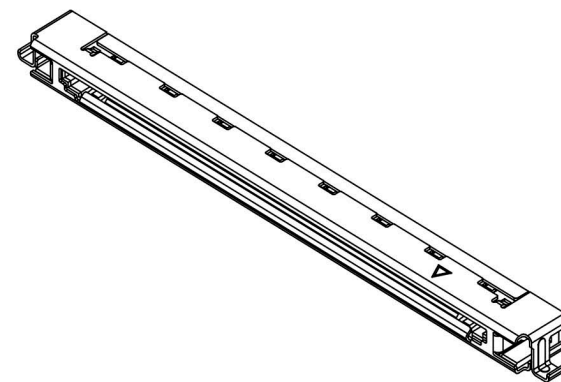


■ NOTES

- Material:
Housing: Thermal Plastic, UL 94V-0
Color: Nature
- Contact: Phosphor bronze, Contact area gold plated,
other area Tin over Nickel
- Fitting: Brass, Tin over Nickel
- Shell: Stainless steel, Tin over Nickel

■ SPECIFICATIONS

- Voltage rating: 200V DC Max.
- Current rating: 1A
- Withstand Voltage: 500V AC/ minute
- Insulation resistance: 100MΩ Min.
- Temperature range: -40~+80°C



RoHS Compliant		HSM 玄茂科技股份有限公司 HSUAN MAO TECHNOLOGY CO., LTD.	
APPD. 核准	SCALE 比例 参考	TOLERANCES UNLESS NOTED	PART NAME 品名
DWG. 製圖		LINEAR ± x ±0.3 xx ±0.15 xxxx ±0.08 ?	1.0mm LVDS WAFER SMT RIGHT ANGLE TYPE 30P SELECTIVE GOLD PLATING BEIGE COLOR NYLON 46 UL94-V0 REEL PACKING ROHS
DATE 制表日	UNIT 單位	ANGLES ±	PART NO.
2021/09/01	M M	SIZE. 紙張尺寸	料號
	PAGE 張數	REV. 版次	W9014-30PBSCR0R
	1 OF 1	A 4	
		D	

PCB PATTREN LAYOUT