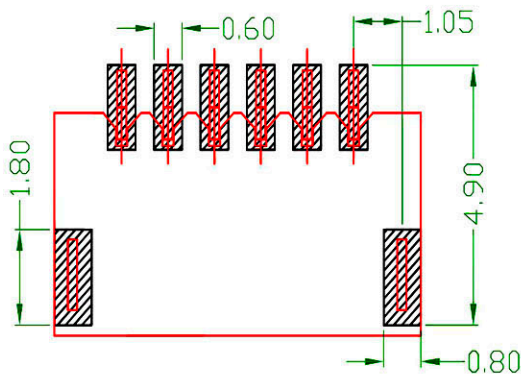
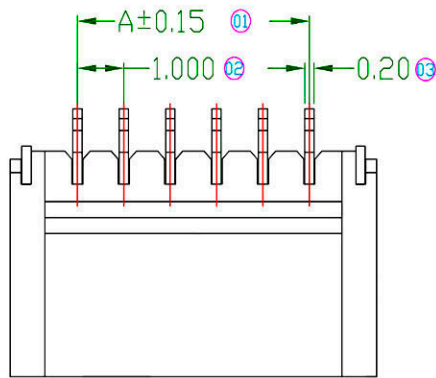


1 2 3 4 5 6 7 8

A



Recommended P.C.B Layout
General Tolerance ±0.05

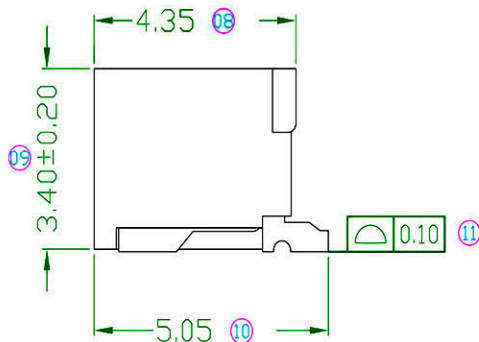
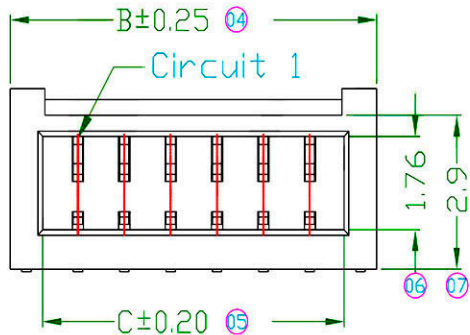
SPECIFICATIONS :

Voltage Rating: 125V AC / DC
Current Rating: 1A AC / DC
Withstanding Voltage: 500V AC/minute
Temperature Range: -25°C~+85°C
Insulation Resistance: 100MΩ Min.
Contact Resistance: 20mΩ Max.
Material:
Wafer: PA9T UL94V-0,Natural
Conductor: Phorphos Brone/Matte Tin Plating
Solder Tabs: Phorphos Brone/Matte Tin Plating

B

C

D

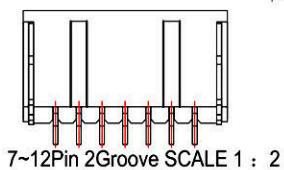
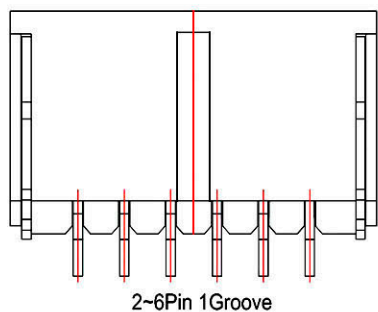


Poles	Dimensions (mm)			Poles	Dimensions (mm)		
	A	B	C		A	B	C
02	1.00	3.90	2.50	12	11.00	13.90	12.50
03	2.00	4.90	3.50	13	12.00	14.90	13.50
04	3.00	5.90	4.50	14	13.00	15.90	14.50
05	4.00	6.90	5.50	15	14.00	16.90	15.50
06	5.00	7.90	6.50	16	15.00	17.90	16.50
07	6.00	8.90	7.50	17	16.00	18.90	17.50
08	7.00	9.90	8.50	18	17.00	19.90	18.50
09	8.00	10.90	9.50	19	18.00	20.90	19.50
10	9.00	11.90	10.50	20	19.00	21.90	20.50
11	10.00	12.90	11.50				

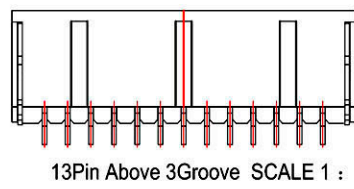
E

F

G



7~12Pin 2Groove SCALE 1 : 2



13Pin Above 3Groove SCALE 1 : 2

H

1 2 3 4 5 6 7 8

RoHS
Compliant

HSM 玄茂科技股份有限公司
HSUAN MAO TECHNOLOGY CO., LTD.

APPD. 核准 Betty
DWG. 製圖 Lena
DATE 制表日 2023/5/16

SCALE 比例 參考
UNIT 單位 MM
PAGE 張數 1 OF 1

TOLERANCE 容許公差
0 ± 0.30
.00 ± 0.20
.000 ± 0.10
SIZE 紙張尺寸 A4
REV. 版本 C

PART NAME 品名
1.0mm WAFER 1XXXP SMT SIDE ENTRY TYPE
TIN PLATING BEIGE COLOR INSULATOR
MATERIAL:NYLON 9T REEL PACKING ROHS

PART NO. 料號
W9115-XXPBTBCRR

A

B

C

D

E

F

G

H