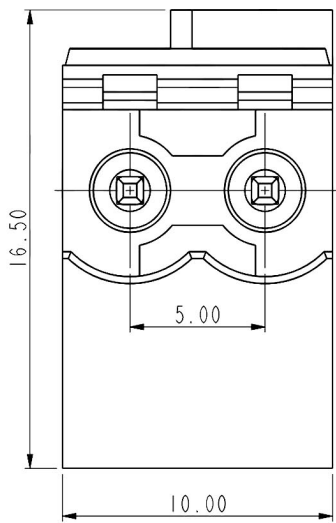
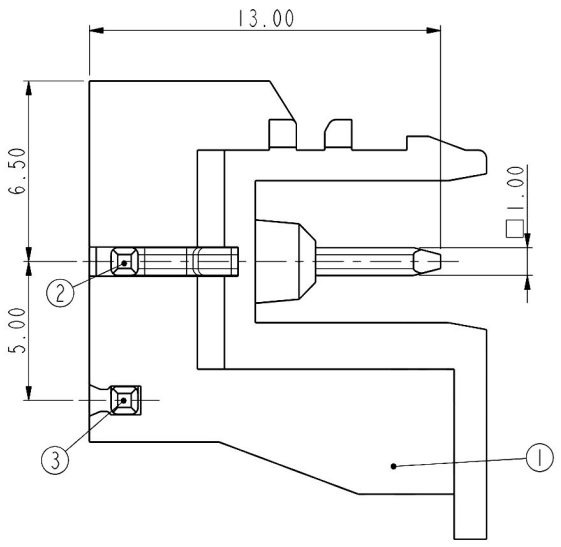
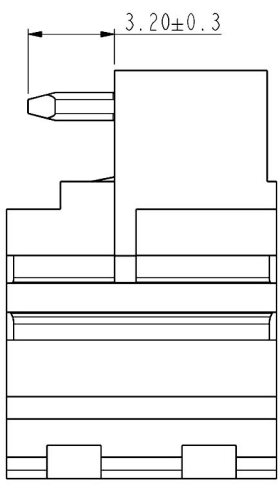
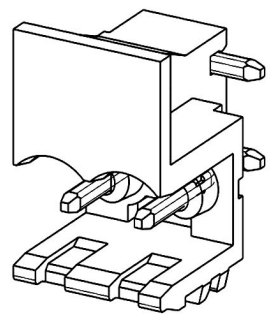


1 2 3 4 5 6 7 8

A  
B  
C  
D  
E  
F  
G  
H

A  
B  
C  
D  
E  
F  
G  
H



3	SOLDER PIN	COPPER ALLOY	Tin Plated
2	SOLDER PIN	COPPER ALLOY	Tin Plated
1	HOUSING	PA66	UL94-V0 GREEN
ITEM	NAME OF PART	MATERIAL	NOTES

Total Pitch Tolerances		Normal dimension Tolerances	
0-30	±0.20	0-30	±0.25
over 30-53	±0.25	over 30-53	±0.30
over 53-70	±0.30	over 53-70	±0.35
over 70-90	±0.35	over 70-90	±0.44
over 90-115	±0.44	over 90-115	±0.55
over 115-150	±0.55	over 115-150	±0.70
over 150-200	±0.70	over 150-200	±0.85
over 200-250	±0.85	over 200-250	±1.00
over 250-320	±1.00	over 250-320	±1.20

RoHS Compliant		<b>HSM</b> 玄茂科技股份有限公司 HSUAN MAO TECHNOLOGY CO., LTD.	
APPD. 核准 DWG. 製圖 DATE 制表日 2019/06/17	SCALE 比例 參考 UNIT 單位 MM PAGE 張數 1 OF 1	TOLERANCE 容許公差 .0 ± .00 ± ANG. ± SIZE 紙張尺寸 A4 REV. 版次 A	PART NAME 品名 5.0mm TERMINAL BLOCK 2PIN RIGHT ANGLE TYPE LEFT CONTACT TIN PLATING GREEN INSULATOR ROHS PART NO. 料號 C0945-02RLTE00R

1 2 3 4 5 6 7 8